

Better Music Builder® is a leader in the Audio and Karaoke equipment industry. We are committed to offering you high quality audio products. Unlike any others brand, we deliver the best cost and value to you directly. For the latest update information including operation manuals, installation instructions, hook-up diagram and other new technologies updates etc. please visit us at our website [www.BetterMusicBuilder.com](http://www.BetterMusicBuilder.com).

## OWNER'S MANUAL

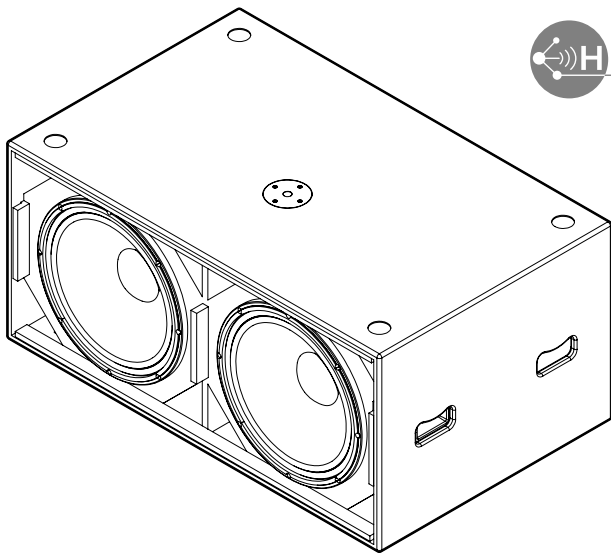
### DYNAMIC FUSION SERIES

High Definition Sound PRO-Line

Dynamic Fusion Series is a high-end live sound system designed by the engineering team of Better Music Builder. This high-end series give you live music experience, high power output and superior sound quality.

### DFS-9218 SUB

DUAL 18" PASSIVE SUBWOOFER



Thank you for purchasing this unit. To make full and effective use of this unit, please read this Owner's Manual carefully before operating it. Please retain this manual for future reference.

[www.BetterMusicBuilder.com](http://www.BetterMusicBuilder.com)

# 1. GENERAL INTRODUCTION

## FEATURES of DFS-9218 SUB

- 2 x 18" woofer [4" voice coil low frequency woofer]
- A bass-reflex high performance subwoofer
- Dynamic Fusion Technology™ (DFT)
- High dynamic, high SPL and deep bass
- Portable/Compact Design
- Connector: 2 x Speakon NL4
- Handling power: 1600 Watts (RMS) @ 4 ohms  
3200 Watts (PEAK) @ 4 ohms
- Convenient handle on speaker box
- Protective grill: Black perforated steel
- Flexible and easy-to install configurations
- Applications: Restaurants, clubs, bars, conference rooms, churches, schools and homes

## 2.SAFETY INTRODUCTION (read before use)

### (1) Electronic appliance safety

- Keep this device away from fire, rain and moisture to prevent risk of fire and shock hazard !
- Do not attempt to service this product yourself, as opening or removing covers may expose you to dangerous voltage points or other risks. Refer all servicing to qualified service personnel. Most damages are the result of unprofessional operation!
- Before replacing the fuse, unplug mains lead. Only replace fuses of the same rating and power as specified on the rear panel.
- Clean only with dry and soft cloth.

### (2) Installation safety

- Before installation, make sure that the installation area can hold a minimum point load of 10 times of the system' s load.(For product weight, pls refer to its spec sheet.)
- The unit should stand only on a clean, solid, plane, vibration-free and fire-resistant location. Do not place the unit on an unsteady trolley or stand.
- Make sure all signal cables and power cables are well settled down to prevent safety problem of peoples walking by.

### (3) Health Hazard

- High loudspeaker levels can cause permanent hearing damage. Wear hearing protection if continuously exposed to high level.

### 3. FUNCTIONAL INTRODUCTION



**DFS-9218 SUB**  
DUAL 18" PASSIVE SUBWOOFER

## 4. TECHNICAL PARAMETER: PRODUCT INFO

### Technical Data

MODEL	DFS-9218 SUB
Components	2x18" woofer
Frequency response (Hz)	30 - 120
Impedance	4
RMS Power (W)	1600
Program Power (W)	3200
Dispersion Angle (-6dB)	/
Max SPL (dB)	135
Sensitivity (dB)	101
Connection	Speakon
Dimension (WxHxD)	47.2x21.7x29.5 in 120x55x75 cm (each)
Packing Dimension (WxHxD)	50.8x25.8x33.1 in 129x65.5x84 cm (each)
Net Weight	187.4 Lbs / 85 Kg (each)
Shipping Weight	200.6 Lbs / 91 Kg (each)
Passive / Active	Passive

# Better Music Builder®.com



*Passionate about Music*

Thank you for purchasing this unit. To make full and effective use of this unit, please read this Owner's Manual carefully before operating it. Please retain this manual for future reference.

