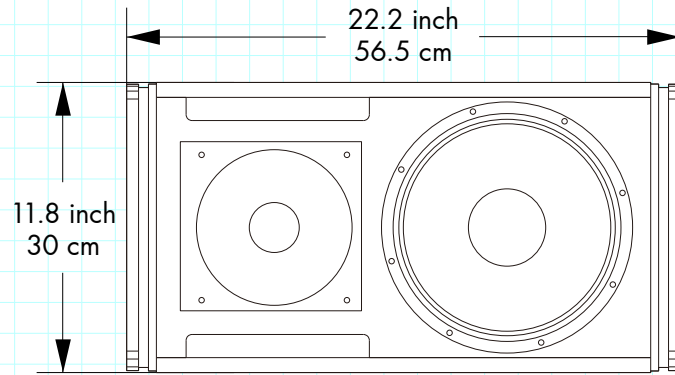
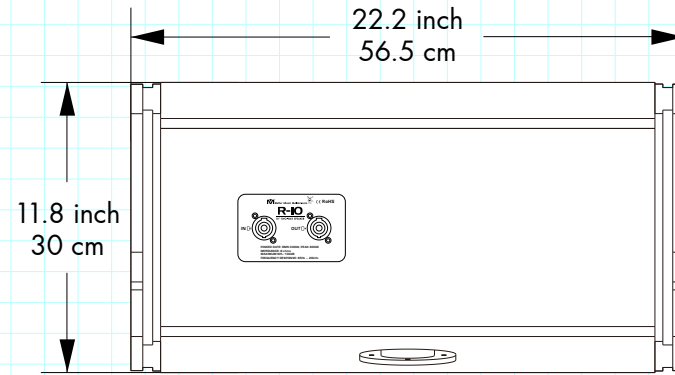


# R-10

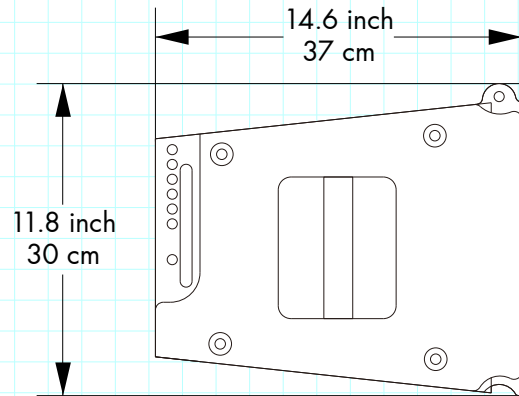
FRONT VIEW



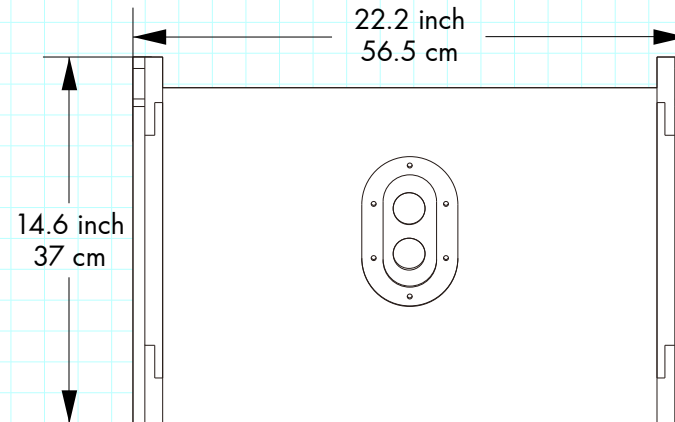
REAR VIEW



SIDE VIEW



BOTTOM VIEW



APPROVALS		DATE
DRAWN:	LL	10/01/17
CHECK:	VZ	10/01/17
DES ENG:	SL	10/01/17

MODEL NO.

**R-10**

SCALE 1:10

REW.NO	DATE
	10-01-2017