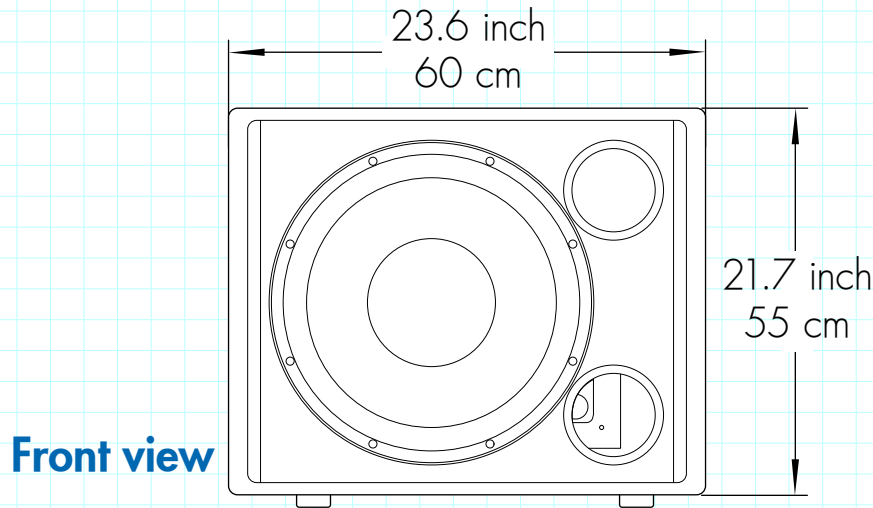
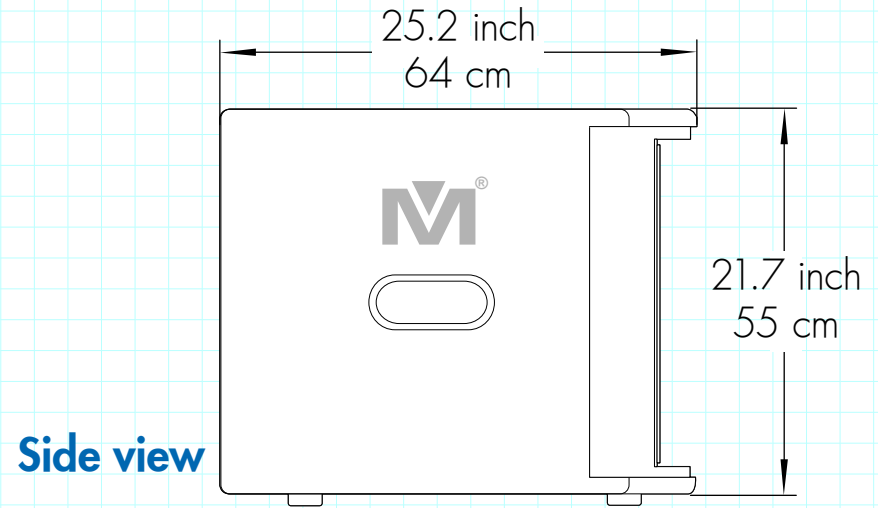




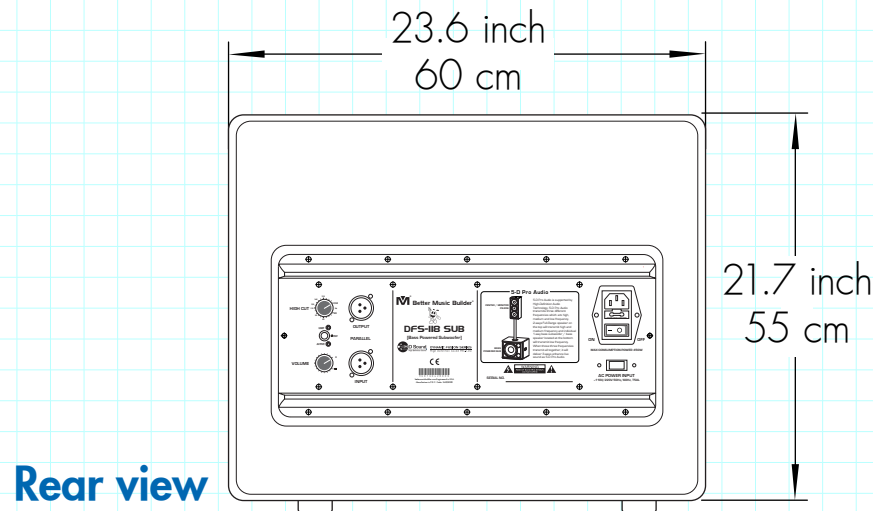
# DFS-II8 SUB



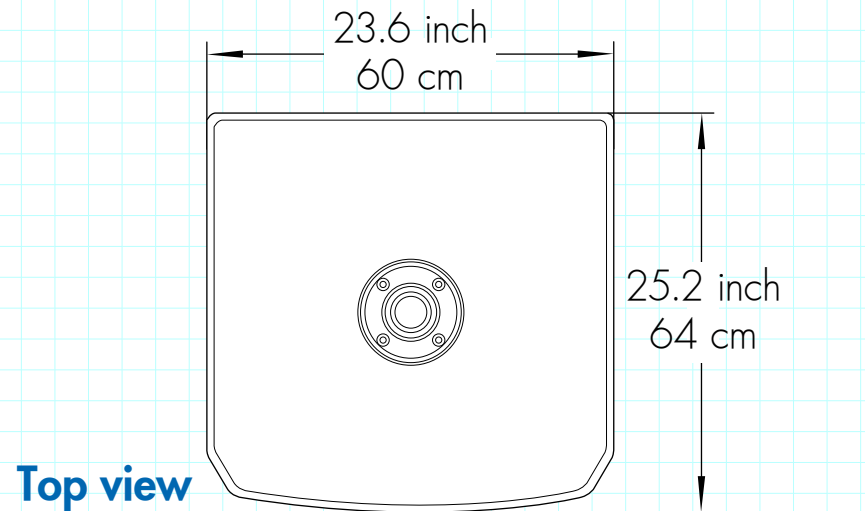
Front view



Side view



Rear view



Top view

APPROVALS	DATE
DRAWN: LL	05/01/17
CHECK: VZ	05/01/17
DES ENG: SL	05/01/17

MODEL NO.  
**DFS-II8 SUB**

SCALE 1:10

REW.NO	DATE
	05-01-2017