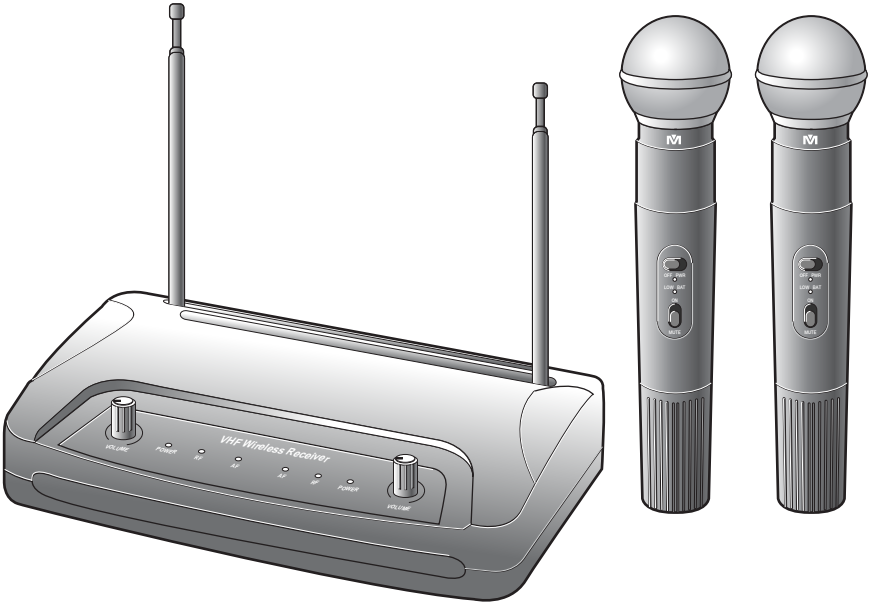


## VHF Wireless Microphone System

# VM-22

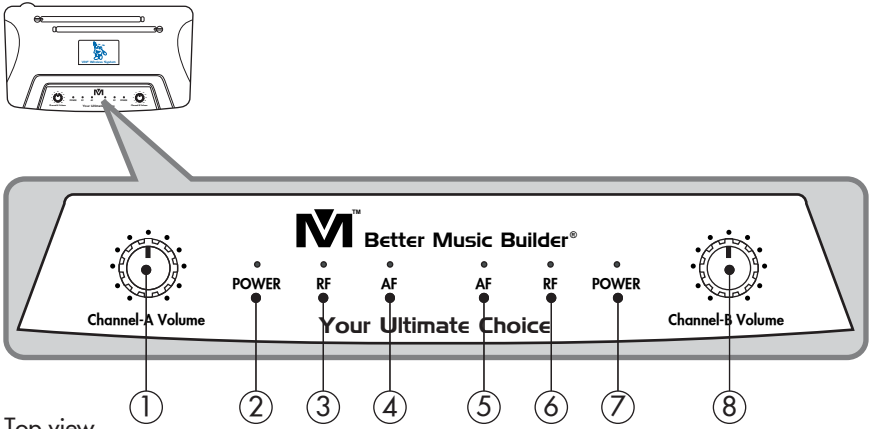
### Operating Instructions



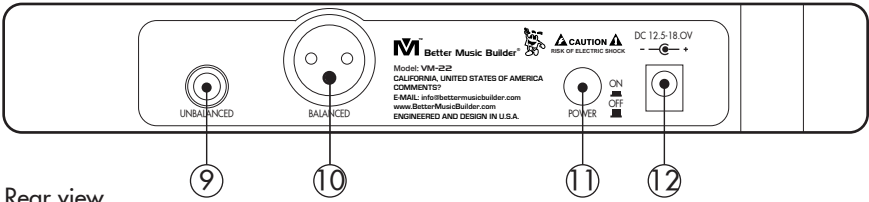
Thank you for purchasing this unit. To make full and effective use of this unit, please read this Owner's Manual carefully before operating it. After reading this manual, retain this booklet together with the Warranty Card for future use in case of maintenance or troubleshooting.



# VM-22 Receiver Features and Controls (Figure 1)



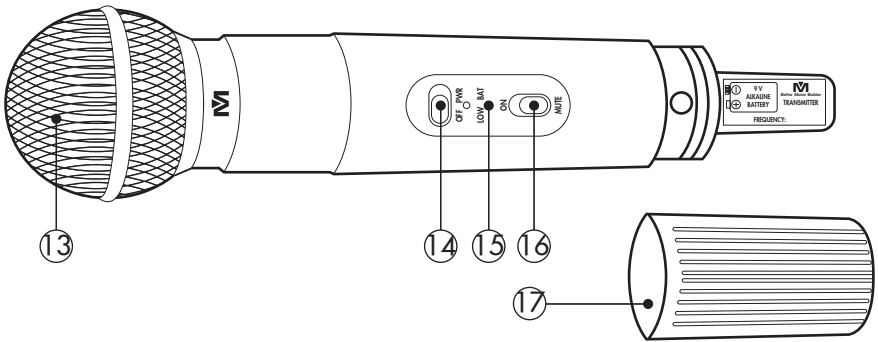
Top view



Rear view

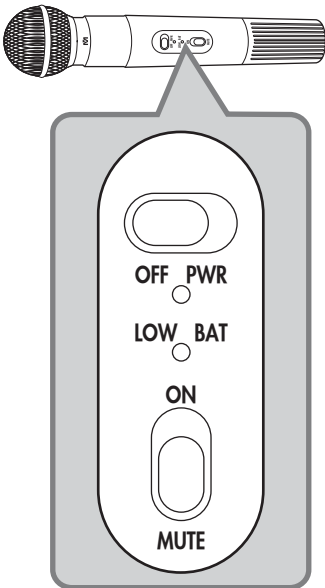
1. Channel-A AF volume adjust output jacks +/-15KHZ.
2. Channel-A Power.
3. RF Peak indicators (Channel-A).
4. AF Peak indicators (Channel-A).
5. AF Peak indicators (Channel-B).
6. RF Peak indicators (Channel-B).
7. Channel-B Power.
8. Channel-B AF volume adjust output jacks +/-15KHZ.
9. Mixed channels 1/4-inch unbalance audio output connector.
10. Mixed channels XLR balance audio output 50Hz~15KHZ +/-3dB.
11. Power switch On/Off.
12. Docking power supply with removable IEC cable 12.5-18.0 V.

## VM-22 Handheld Transmitter (Figure 2)



- 13. Rugged unidirectional dynamic element.
- 14. Easily-accessible power switch On/Off.
- 15. Indicates low battery
- 16. Transmitter On and Mute switch.
- 17. Variable battery cover.

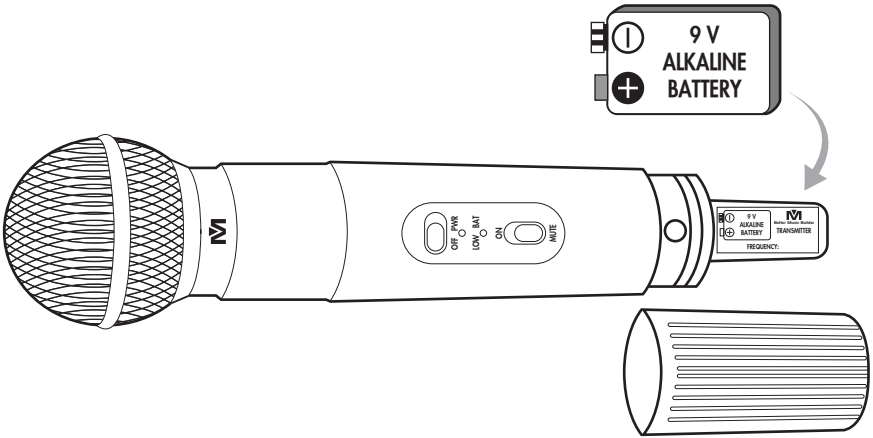
## VM-22 Transmitter Features and Controls (Figure 3)



**Battery condition Indicator:** After battery is installed, turn the power on. The battery condition indicator signal light should flash once. If it does not, the battery is installed incorrectly or it is dead. If the indicator signal light stays on (does not flash), the battery voltage is low and the battery should be replaced. If this happens during use, replace (or recharge) the battery immediately to ensure continued operation.

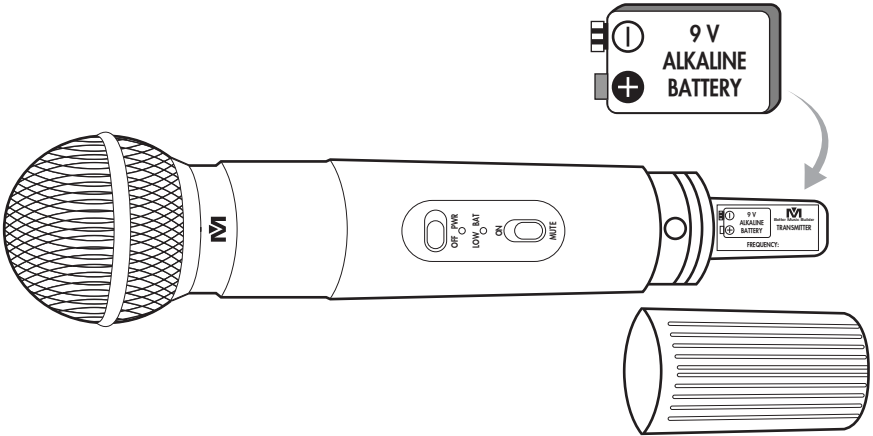
**Transmitter power switch (On/Off)**

## Handheld Transmitter Channel A (Figure 4)



Make sure that you insert the battery at the right electric poles.

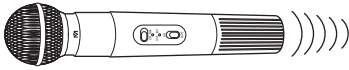
## Handheld Transmitter Channel B (Figure 5)



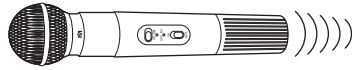
Make sure that you insert the battery at the right electric poles.



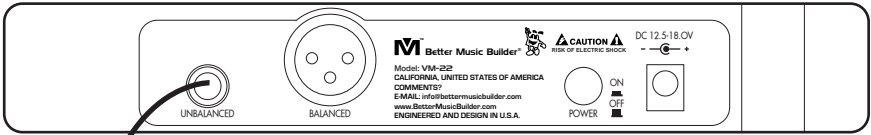
# VM-22 Basic Karaoke Connection Diagram (Figure 9)



Channel A Handheld Transmitter

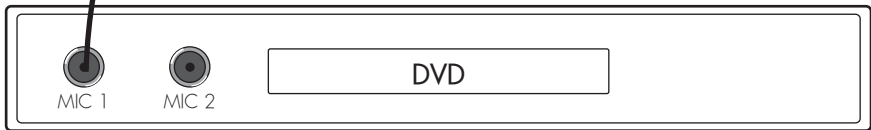


Channel B Handheld Transmitter



Rear View

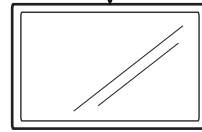
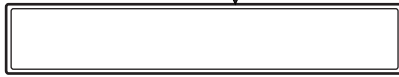
Unbalance Connection



DVD Karaoke Player

Audio connect to Amplifier

Video connect to



TV/Video Monitor

## Specifications

**RF Carrier Frequency Range**

169.445 to 221.350 MHz

**Working Range**

100 ft under typical conditions.

**Audio Frequency Response**

50 to 15,000 Hz, +/-2 dB

**Audio Output Level (+/-15 kHz deviation, 1 kHz tone)**

1/4~inch connector (into 3 k Ohm load): -8.8 dBV (Hi Z)

1/4~inch connector (into 3 k Ohm load): -18 dBV (mix)

**RF Power Output:** about 30 mWatt

**Battery Size:** 9V rechargeable

**Receiver Dimensions:** 220mm(L)x130mm(D)x40mm(H)

**Handheld Transmitter Dimensions:** 240mm(L)x55mm(H)x30mm(W)

**Net Weight:** 2 lbs

# Warranty

## One-Year Limited Warranty for Home Use Equipment

Our one-year warranty applies to speakers, amplifiers, mixers and microphones for home use only. It covers both parts and labors. The warranty becomes effective from the date of your purchase for one year.

Our warranty only covers defects due to product defectiveness with free of defects in materials or workmanship. However, our warranty does not cover defects due to normal wears, damage in transit, improper use, abuse or failure to follow the proper instructions for maintenance. This warranty is void in the event of unauthorized repairs, alternations, modifications and removing of the product label.

Please also note that our warranty does not cover any shipping cost for the return of defective products to us for inspection, repair and maintenance. Our warranty for Better Music Builder products can only be executed in North America.

**NOTE** ▶ Our warranty does not cover the battery for wireless microphone products.

## 90-Day Limited Warranty for Public and Commercial Use Equipment

Our 90-day warranty applies to speakers, amplifiers, mixers and microphones for both public and commercial use such as restaurant, coffee shop, KTV nightclub, church and school, etc. It covers both parts and labors. The warranty becomes effective from the date of your purchase for 90 days.

## To Register Your Warranty

Please fill out the warranty card that came with your unit, download or submit online warranty form. However, we need the invoice for your purchase in order to process this warranty. You may also register your warranty online.

Please visit our website at [www.bettermusicbuilder.com](http://www.bettermusicbuilder.com).

# Precaution

1. If you want to use more than one of this system, please select the work frequency (or signal channel) carefully so as to avoid disturbing.
2. The input power voltage of the receiver is 120V ( $\pm 10\%$ ). If it is too low or too high, it will affect the work of the machine.
3. When you install the battery, you must not reverse the electrode or you will damage the machine.
4. When using the sensitivity solution function, the numerical value you select must be at least 15dB. Otherwise, if the distance is too far, its signal-to noise ratio goes worse.



**Caution:** To reduce the risk of electrical shock, do not remove the cover (or back). No user serviceable parts inside: refer servicing to qualified personnel.

**Warning:** To reduce the risk of fire or electrical shock, do not expose this appliance to rain or moisture.



This symbol, wherever it appears, alerts you to the presence of uninsulated dangerous voltage inside the enclosure voltage that may be sufficient to constitute a risk of shock.



This symbol, wherever it appears, alerts you to important operating and maintenance instructions in the accompanying literature. Read the manual.



*Passionate about Music*  
[www.BetterMusicBuilder.com](http://www.BetterMusicBuilder.com)