

Better Music Builder®.com



Better Music Builder® is a leader in the Audio and Karaoke equipment industry. We are committed to offering you high quality audio products. Unlike any others brand, we deliver the best cost and value to you directly. For the latest update information including operation manuals, installation instructions, hook-up diagram and other new technologies updates etc. please visit us at our website www.BetterMusicBuilder.com.

OWNER'S MANUAL

Tour+Music U.S.A.
Music Pad TM-81








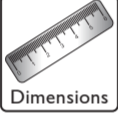




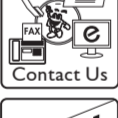

WIRELESS
MusicPad



Thank you for purchasing this unit. To make full and effective use of this unit, please read this Owner's Manual carefully before operating it. Please retain this manual for future reference.

www.BetterMusicBuilder.com

CONTENTS

	INTRODUCTION.....	3
	SYSTEM FEATURES.....	3
	SAFETY INSTRUCTIONS.....	4~5
	PACKAGE ACCESSORIES.....	6
	SYSTEM APPLICATIONS.....	7
	• Connecting the Bluetooth.....	7
	• Connecting the AC/DC Adapter & Audio Input.....	7
	• Connecting the Car Charger.....	7
	CONTROLS AND FUNCTIONS.....	8
	• Front, Rear, Top & Bottom Panel.....	8
	OPERATION.....	9
	PHYSICAL DIMENSIONS.....	10
	TROUBLESHOOTING.....	10
	WARRANTY.....	11
	AGENCY REGULATORY NOTICES.....	12
	FINAL WORDS TO USER.....	13
	CONTACT INFORMATION.....	13
	NEW PRODUCTS (MUSIC SOURCE).....	14~15

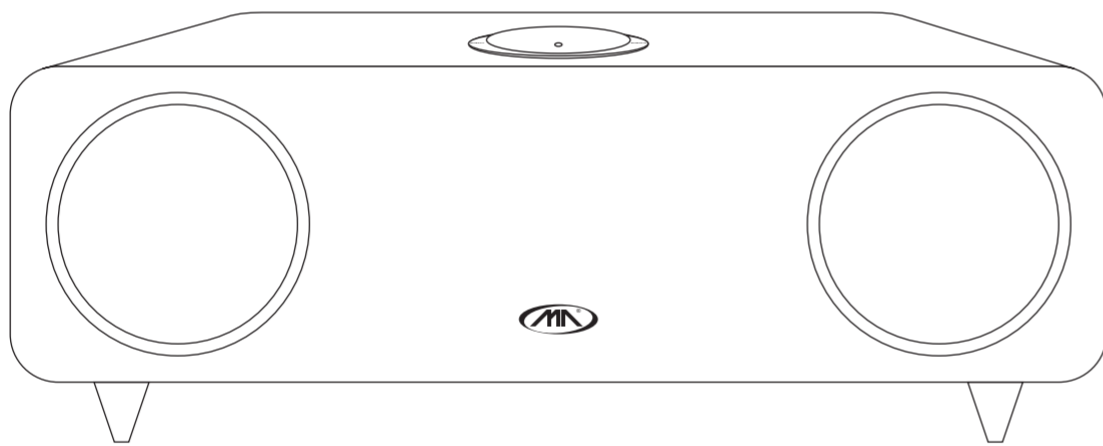


INTRODUCTION

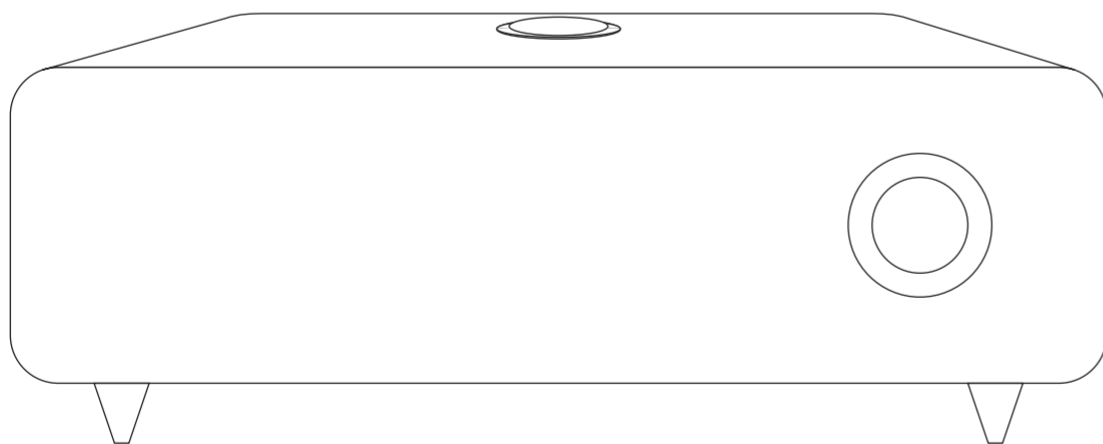
Better Music Builder is introducing a portable sound system geared toward casual music listeners. The Tour+Music Sound System is the first of its kind. Its ultra portable body lets the user bring it anywhere. You can even bring it on the road because with its car charger, there really is nowhere you can't bring the Tour+Music. To make it even more user friendly, the sound system comes with Bluetooth. You can connect to your favorite tunes via stereo cable or wirelessly with any Bluetooth devices including iPhones and Android phones.

Countless hours have been put in by our team on the design. Its 2.1 Channel structure features two dual acoustic dynamics drivers and a high energy composite paper cone subwoofer to bring the best possible sound out of its slim body. On top of that, it is layered with high grade piano wood. The Tour+Music Sound System will look good wherever you bring it.

MusicPad TM-81 Front View



MusicPad TM-81 Rear View



SYSTEM FEATURES

MusicPad TM-81

- 5.5" High Energy Composite Paper Cone Subwoofer
- Dual Acoustic Dynamics Driver
- 150 watts of full-range stereo sound
- Precision 2.1 Channel Class D Amplification with Electronic X-over
- EQ balance output
- Piano wood cabinet design
- 3.5mm audio input & Bluetooth capability
- Car Charger is included
- Available in white and black

Tour+Music U.S.A.
Music Pad TM-81
WIRELESS
MusicPad





SAFETY INSTRUCTIONS

Please visit our website at BetterMusicBuilder.com for the most updated information, corrections on errors and changes in this manual. You may also contact us at toll free at 1-800-318-2218.



1. Read Instructions: All the safety and operation instructions should be read before this product is operated.
2. Retain Instructions: The safety and operating instructions should be kept for future reference.
3. Warnings: All warnings on this product in these operating instructions should be followed.
4. Follow Instructions: All operating and other instructions should be followed carefully.
5. Water and Moisture: This product should not be used near water, for example, near a bathtub, washbowl, kitchen sink, laundry tub, in a wet basement, near a swimming pool, swamp or salivating St. Bernard dog, etc.
6. Cleaning: Clean only with a dry cloth.
7. Ventilation: This product should be situated so that its location or position does not interfere with its proper ventilation. For example, the Component should not be placed on a bed, sofa, rug, or similar surface that may block any ventilation openings, or placed in a built-in installation such as a bookcase or cabinet that may impede the flow of air through ventilation openings.
8. Heat: This product should be stayed away from heat sources such as radiators, or other devices producing heat.
9. Power Sources: This product should be connected to a power supply only of the type described in these operation instructions or as marked on this product.
10. Power Cord Protection: Power supply cords should be routed so that they are not likely to be walked upon or pinched by items placed upon or against them. Please pay particular attention to cords plugs, convenience receptacles, and the point where they exit this product.
11. Object and Liquid Entry: Care should be taken so that objects do not fall on, or liquids are not spilled into this product.
12. Damage Requiring Service: This product should be serviced only by qualified service personnel when:

- A. The power-supply cord or the plug has been damaged; or
- B. Objects have fallen, or liquid has spilled into this product; or
- C. This product has been exposed to rain; or
- D. This product does not appear to operate normally or exhibits a marked change in performance; or
- E. This product has been dropped, or its chassis has been damaged.

13. Servicing: The user should not attempt to service this product beyond those means described in this operating manual. All other servicing should be referred to the Service Department.

14. To prevent electric shock, do not use this polarized plug with an extension cord, receptacle or other outlet unless the blades can be fully inserted to prevent blade exposure.

15. Grounding or Polarization: Precautions should be taken so that the grounding or polarization means of this product is not defeated.

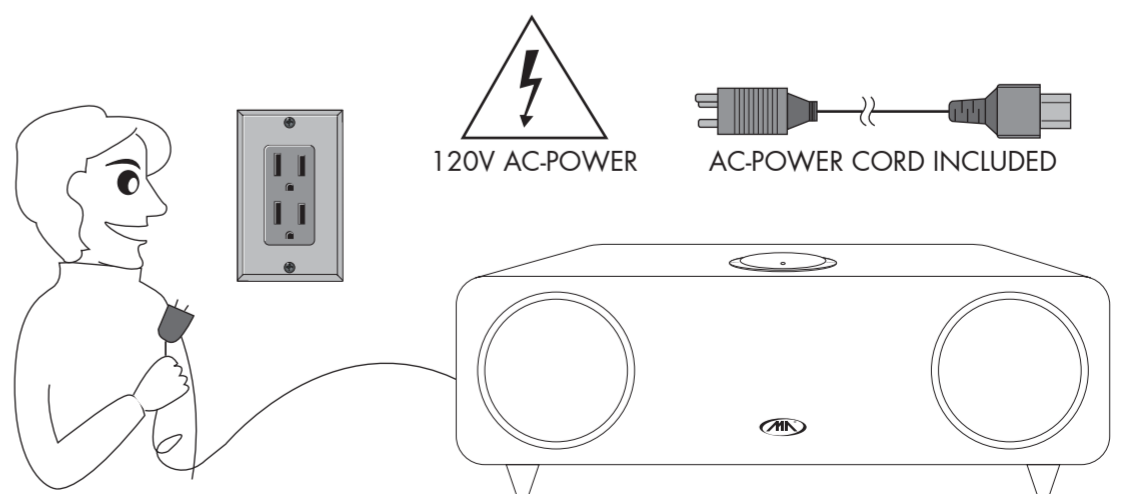
16. Power Precaution: Unplug this product during lightning storms or when unused for long periods of time. Note that this product is not completely disconnected from the AC power source when the power switch is in the OFF position.

17. This machine does not exceed the Class A/Class B (whichever is applicable) limits for radio noise emissions from digital apparatus as set out in the radio interference regulations of the US Department of Communications.

AC-POWER SOURCES

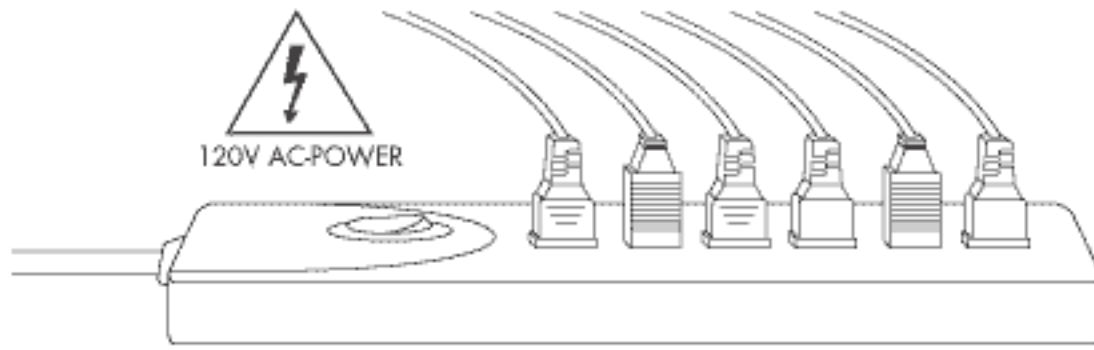
This set should be operated only from the type of power source indicated on the marking label. If you are not sure of the type of electrical power supplied to your home, consult your dealer or local power company. For those sets designed to operate from battery power, or other sources, refer to the operating instructions.

This unit is designed for use with 120V/60Hz AC. If the area where you live have different power source, you may need to use a transformer to convert to 120 Volts AC.



OVERLOADING

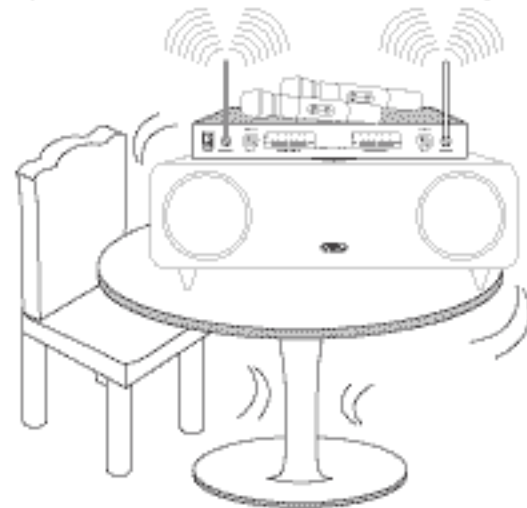
Do not overload wall outlets, extension cords or convenience receptacles beyond their capacity, since this can result in fire or electric shock.



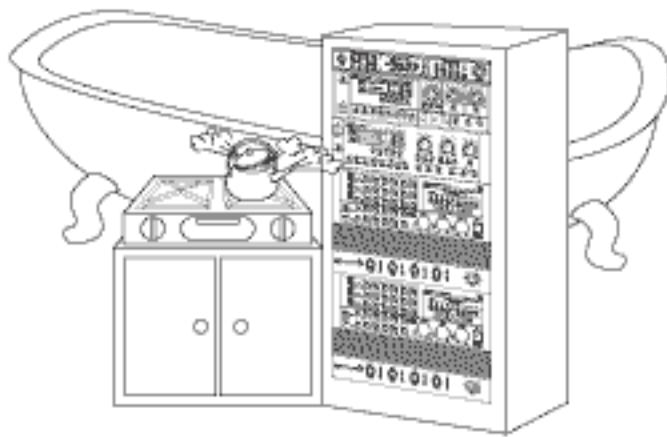
An appliance and cart combination should be moved with care. Quick stops, excessive force and uneven surfaces may cause the appliance and cart combination to overturn.

Do not place the electronic equipment onto the unstable table or stand.

It is because it would fall easily from the unstable table or stand, so it may cause accident including personal injuries and damage the equipment. Please follow our instructions to install the equipment, or you may hire a professional technician to handle the installation for safety purpose.

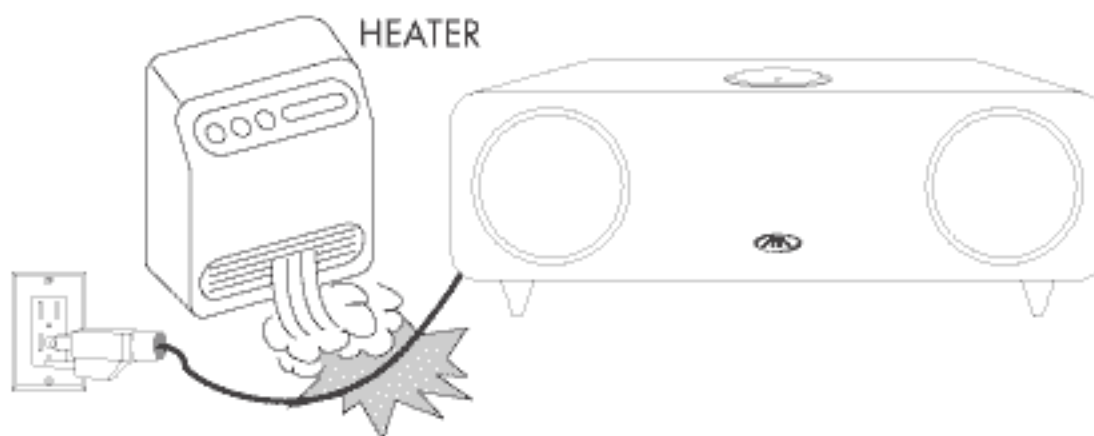


Do not store the electronic equipment near water or area with moisture such as bathroom, kitchen sink, laundry area and swimming pool, etc.



Do not place the electronic equipment near heat sources

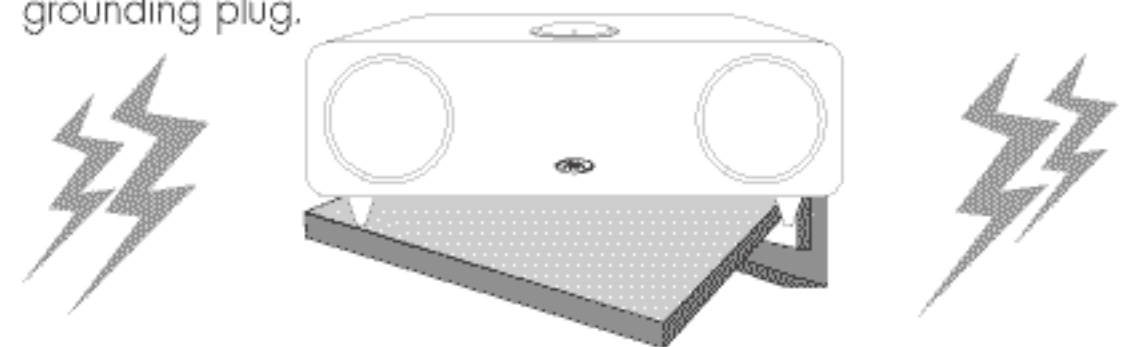
such as stoves, radiators and heaters, etc. Placing the electronic equipment too near to these heat sources would result in damaging the equipment and causing fire.



Do not place the set on an unstable cart, stand, tripod, bracket, or table. The set may fall, causing serious injury to a child or an adult and serious damage to the set. Use only a cart stand tripod, bracket, or table recommended by the manufacturer.

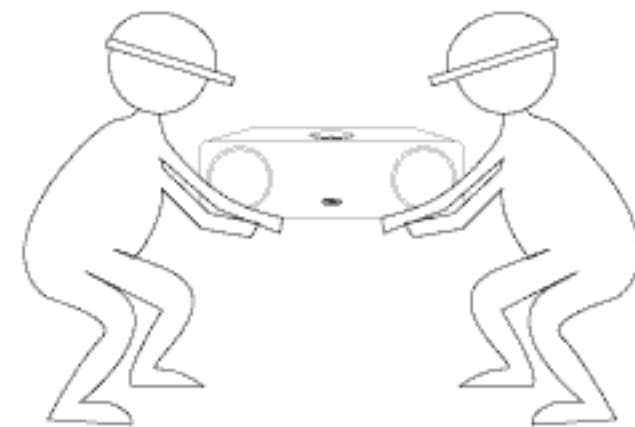
For the set with a three-wire grounding type ac plug:

This plug will only fit into a grounding-type power outlet. This is a safety feature. If you are unable to insert the plug into the outlet, contact your electrician to have a suitable outlet installed. Do not defeat the safety purpose of the grounding plug.



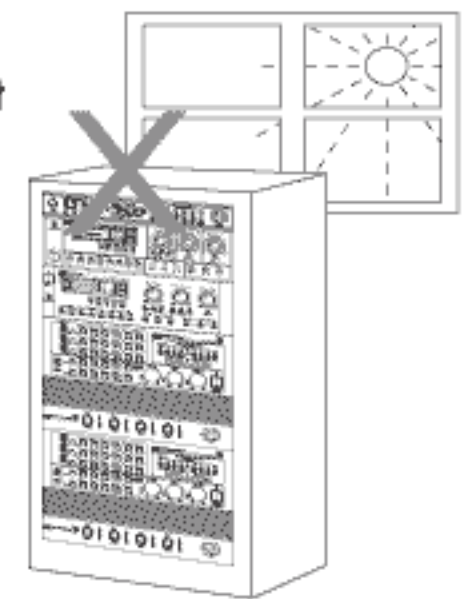
Do not transport the electronic equipment by yourself if its weight exceeds 70 pounds.

It is recommended that two people work together to transport the equipment or by using hand truck and the like.



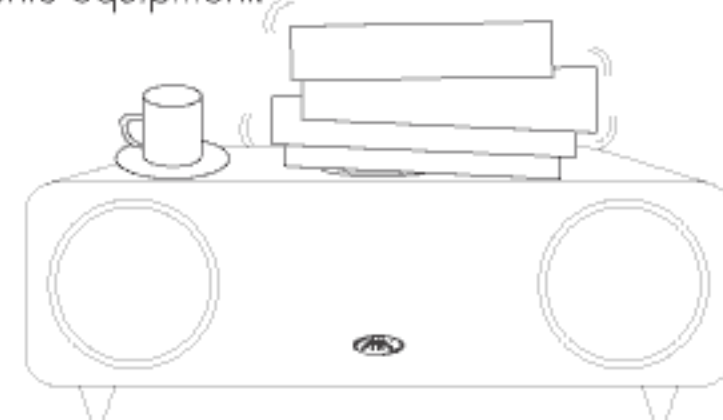
Do not place the electronic equipment directly under sunlight or close to the window.

It may cause overheat on the electronic equipment by the sunlight.



Do not block the openings and vents in the cabinet which is designed for the ventilation of the electronic equipment.

The blocking may cause overheat in the electronic equipment because of insufficient circulation of air, so it would damage the electronic equipment.

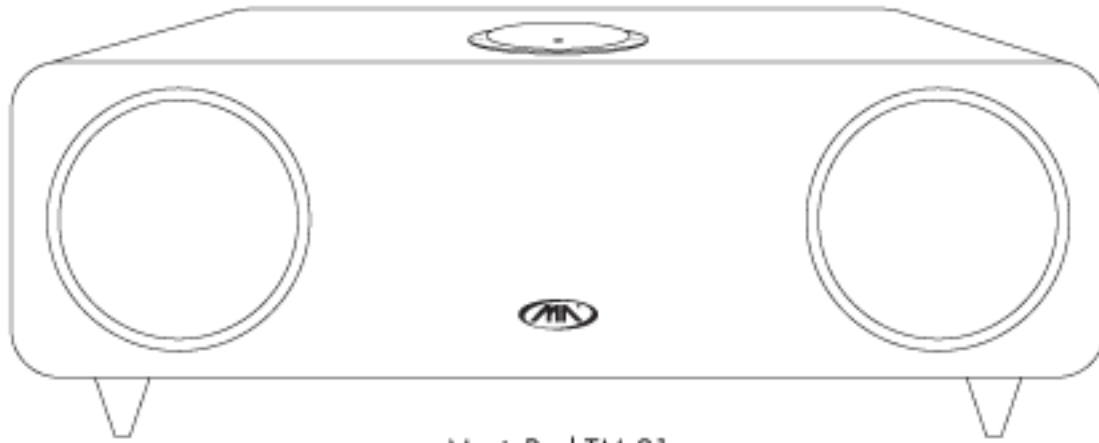




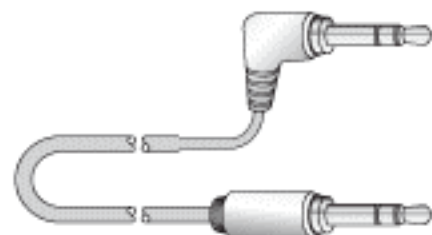
PACKAGE ACCESSORIES

The package comes with one speaker, one owner's manual, one 3.55mm audio cable, one AC/DC adapter, and one car charger. All other accessories mentioned in the manual for installation purpose are not included. They are sold separately.

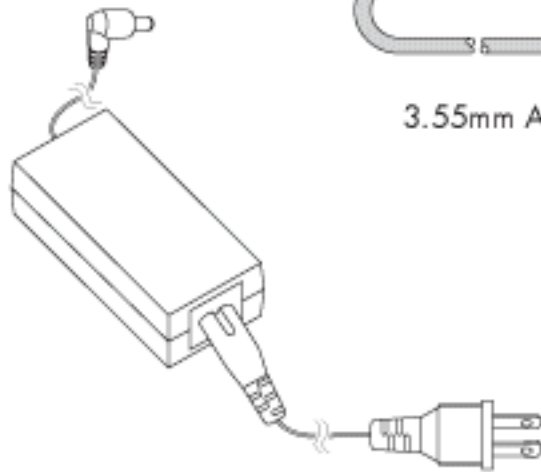
WIRELESS MusicPad



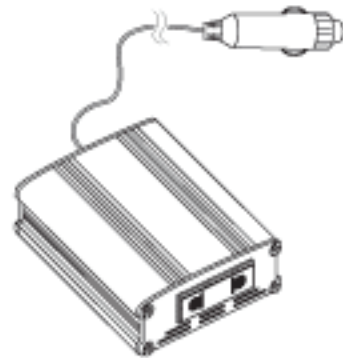
MusicPad TM-81



3.55mm AUDIO CABLE



AC/DC ADAPTER



CAR CHARGER



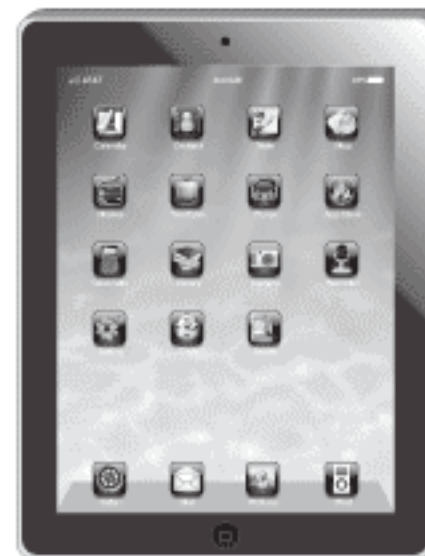
SYSTEM APPLICATIONS

CONNECTING THE BLUETOOTH

WIRELESS MusicPad



MusicPad TM-81



TABLET NOTEBOOK



iPhone

OR



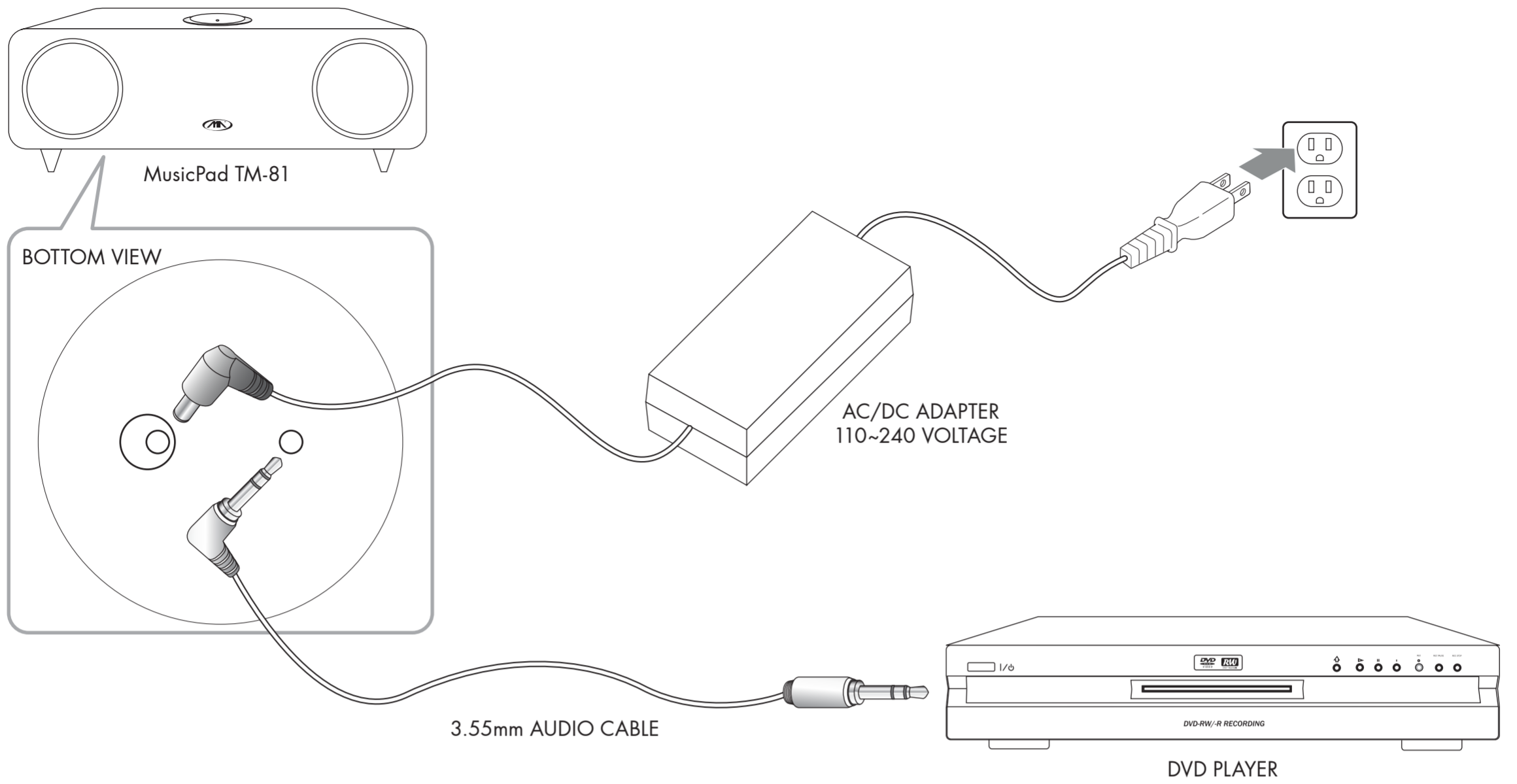
OWNER'S MANUAL



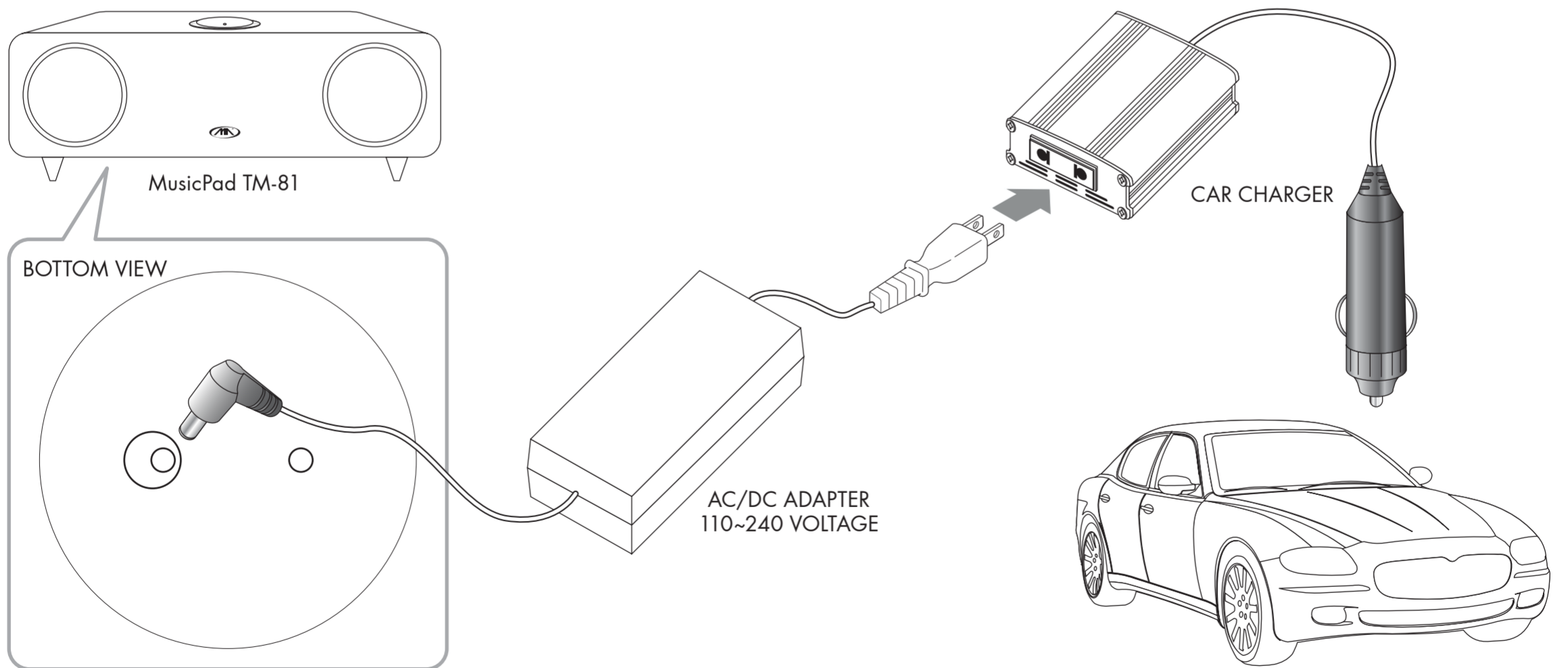
CONSUMER WARRANTY AND REGISTRATION CARD

<Mail in U.S.A. only> Consumers from Canada can get the warranty card by downloading it from our website www.BetterMusicBuilder.com.

CONNECTING THE AC/DC ADAPTER & AUDIO INPUT



CONNECTING THE CAR CHARGER

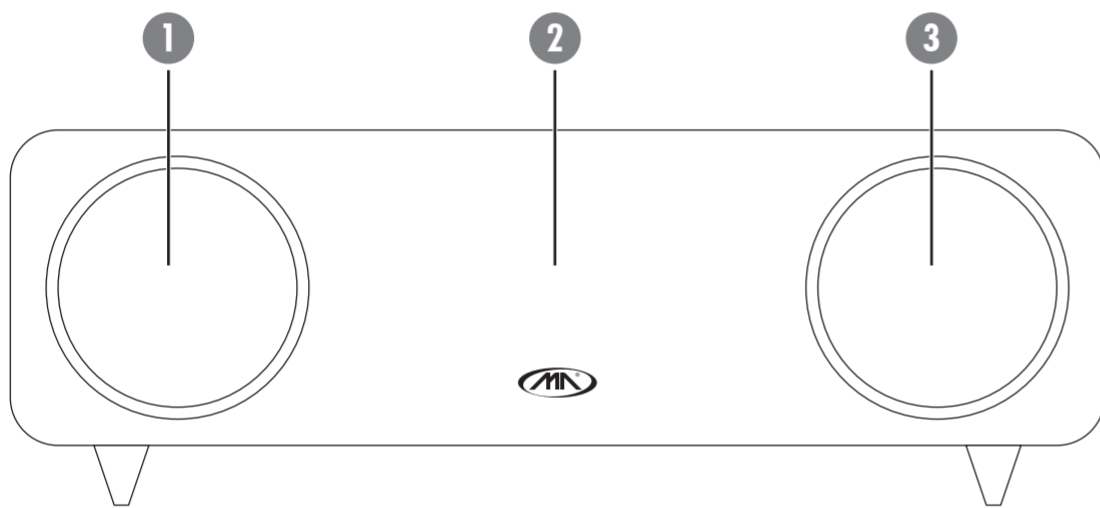




CONTROLS AND FUNCTIONS

FRONT, REAR, TOP & BOTTOM PANEL:

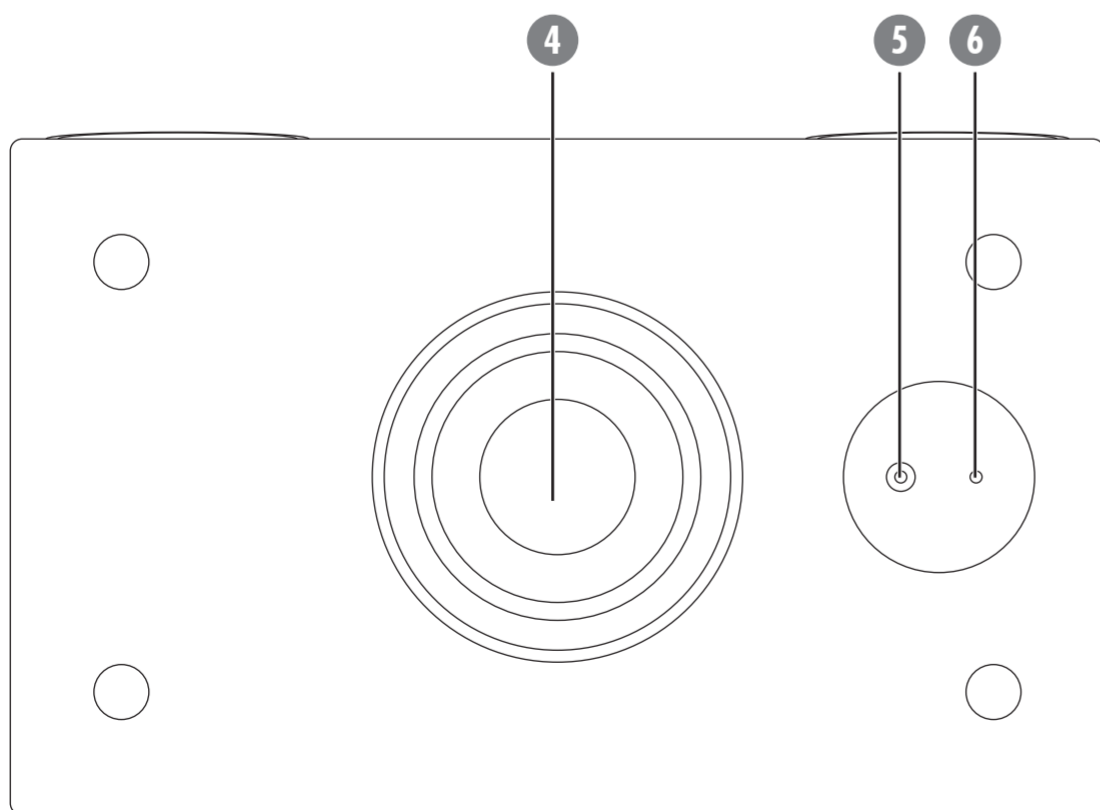
- 1 ACOUSTIC DRIVERS
- 2 PIANO WOOD CABINET
- 3 ACOUSTIC DRIVERS
- 4 HIGH ENERGY SUBWOOFER
- 5 POWER FEMALE PORT
- 6 AUDIO INPUT
- 7 MASTER VOLUME CONTROL



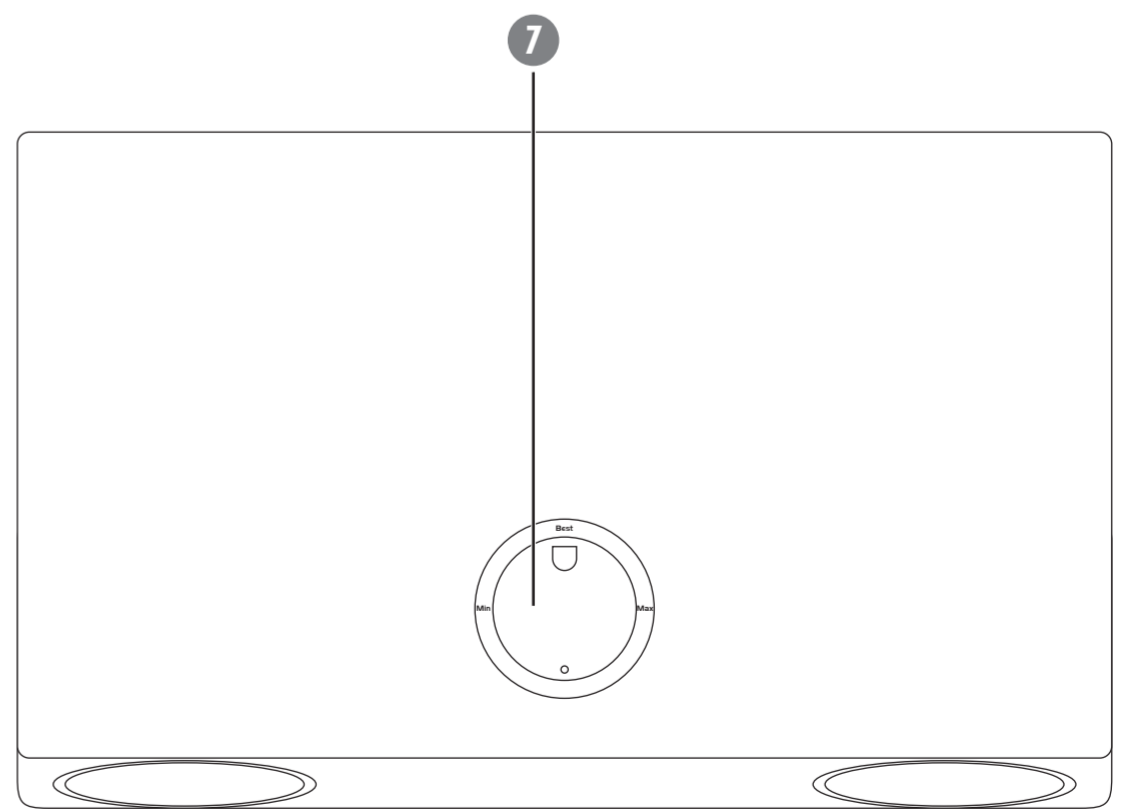
Front View



Rear View



Bottom View



Top View



OPERATION

SETTING UP BLUETOOTH CONNECTION ON ANDROID PHONES

You can connect your Android phone wirelessly to the MusicPad by using Bluetooth.

1. Turn on the MusicPad
2. On your Android phone, go into Apps



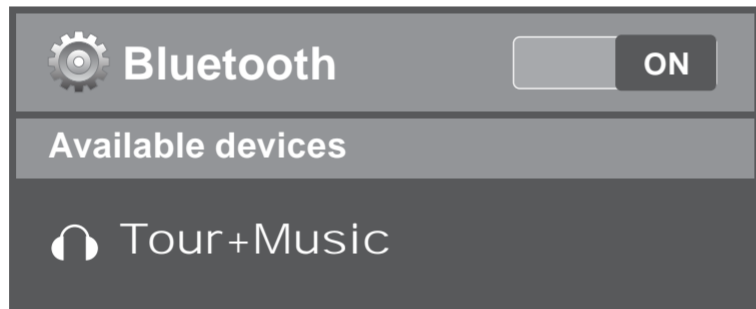
3. Go into Settings



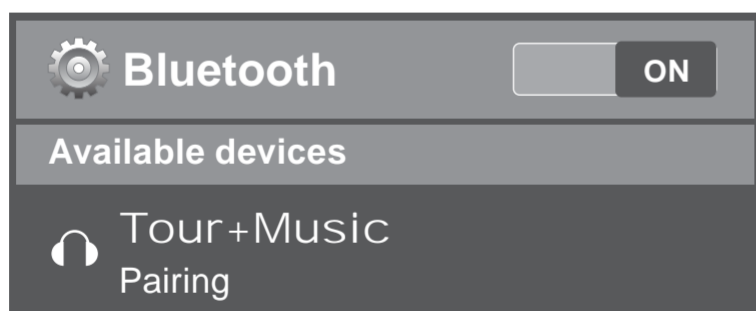
4. Turn on Bluetooth



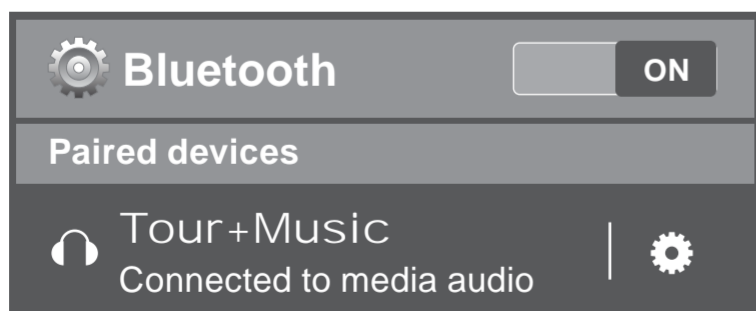
5. Go into Bluetooth
6. Look for "Tour+Music" on the list of "Available devices"



7. Click on "Tour+Music" to pair the device



8. "Tour+Music" will appear under "Paired devices"



9. When Bluetooth is finished setting up, "Connected on media audio" will appear under "Tour+Music" and the light on the wheel of the MusicPad will turn purple
10. Now the MusicPad is ready to use with your Android phone

SETTING UP BLUETOOTH CONNECTION ON iPhones

You can connect your iPhone wirelessly to the MusicPad by using Bluetooth.

1. Turn on the MusicPad
2. On your iPhone, go into Settings



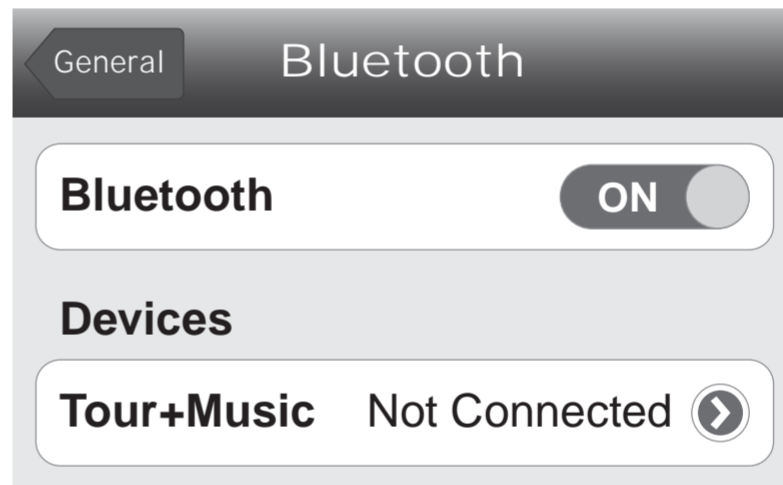
3. Go into General



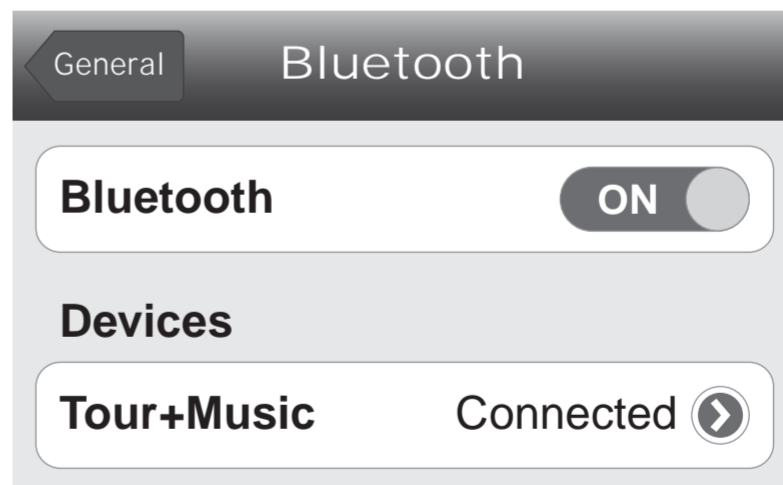
4. Go into Bluetooth



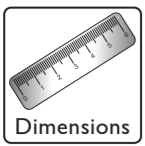
5. Turn on Bluetooth
6. Look for "Tour+Music" on the list of "Devices"



7. Click on "Tour+Music" to connect



8. When Bluetooth is finished setting up, "Connected" will appear and the light on the wheel of the MusicPad will turn purple
9. Now the MusicPad is ready to use with your iPhone

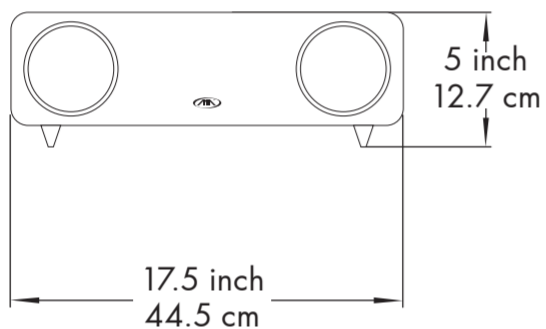


PHYSICAL DIMENSIONS

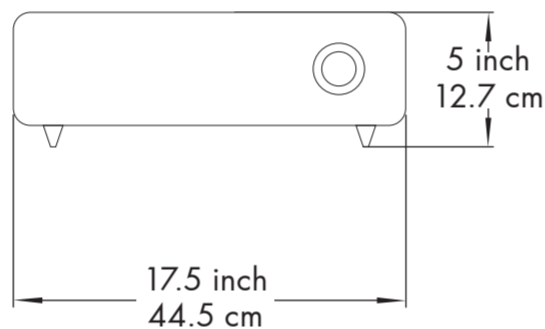
Wireless MusicPad	
MODEL	TM-81
NET WEIGHT	12.8 lbs / 5.8 Kg (each)
SHIPPING WEIGHT	17 lbs / 7.7 Kg (each)
DIMENSIONS (WXHxD)	17.5x5x11 in 44.5x12.7x28 cm
PACKING DIMENSIONS (WXHxD)	20.1x9.1x13.4 in 51x23x34 cm (each)

TM-81

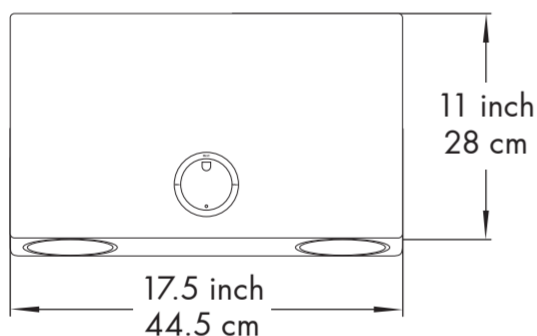
Front View



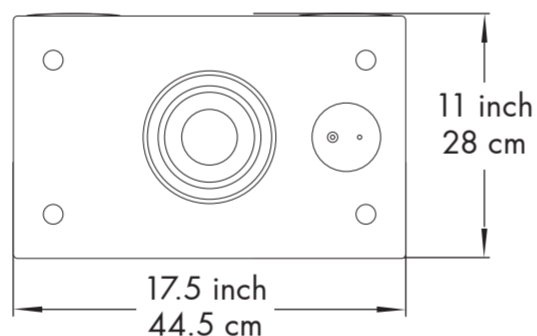
Back View



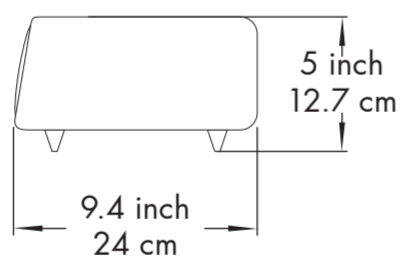
Top View



Bottom View



Side View



TROUBLESHOOTING

1. SYMPTOM: NO SOUND WHEN CONNECTING WIRELESSLY USING A BLUETOOTH DEVICE.

Remedies:

- Make sure the stereo cable isn't connected.
- Make sure only one Bluetooth device is active.

Note: When Bluetooth is finished setting up, the light on the wheel of the Tour+Music Sound System will turn purple.

2. SYMPTOM: NOISES FROM THE SPEAKER.

Probable cause:

The A/C power cord of the speaker is not grounded.

Remedy:

Change a new magnet cord of the A/C power cord.

3. SYMPTOM: CRACKING NOISES FROM THE SPEAKER.

Probable cause:

The tweeter may be burned out.

Remedy:

Replace with a new tweeter.

Note: we recommend hiring a professional to change a tweeter in order to do it properly.



WARRANTY

ONE-YEAR LIMITED WARRANTY FOR HOME USE EQUIPMENT

Our one-year warranty covers both parts and labors. The warranty becomes effective from the date of your purchase for one year.

Our warranty only covers defects due to product defectiveness with free of defects in materials or workmanship. However, our warranty does not cover defects due to normal wears, damage in transit, improper use, abuse or failure to follow the proper instructions for maintenance. This warranty is void in the event of unauthorized repairs, alternations, modifications and removing of the product label.

Please also note that our warranty does not cover any shipping cost for the return of defective products to us for inspection, repair and maintenance. Our warranty for Better Music Builder products can only be executed in North America.

90-DAY LIMITED WARRANTY FOR PUBLIC AND COMMERCIAL USE EQUIPMENT

Our 90-day warranty applies to speakers, amplifiers, mixers and microphones for both public and commercial use such as restaurant, coffee shop, KTV nightclub, church and school, etc. It covers both parts and labors. The warranty becomes effective from the date of your purchase for 90 days.

Our warranty only covers defects due to product defectiveness with free of defects in materials or workmanship. However, our warranty does not cover defects due to normal wears, damage in transit, improper use, abuse or failure to follow the proper instructions for maintenance. This warranty is void in the event of unauthorized repairs, alternations, modifications and removing of the product label.

Please also note that our warranty does not cover any shipping cost for the return of defective products to us for inspection, repair and maintenance. Our warranty for Better Music Builder products can only be executed in North America.

ADDITIONAL NOTES:

1. Limited warranty for home use equipment is only valid in North America.
2. Limited warranty is valid only if you purchase our products from our authorized dealers (including both regular retailers and online retailers) in North America. If you choose to purchase our products from an authorized dealer, we will not provide any limited product warranty for you. To protect your limited product warranty, please purchase our products from one of our authorized dealers in North America near you.
3. Limited warranty is automatically void if the yellow label stating "No Warranty After Opening" is removed from the product.

TO REGISTER YOUR WARRANTY

Please fill out the warranty card that came with your unit, download or submit online warranty form. However, we need the invoice for your purchase in order to process this warranty. You may also register your warranty online.

Please visit our website at www.bettermusicbuilder.com.



AGENCY REGULATORY NOTICES

FEDERAL COMMUNICATIONS COMMISSION NOTICE

These limits are designed to provide reasonable protection against harmful interference in a residential installation. This equipment generates, uses, and can radiate radio frequency energy and, if not installed and used in accordance with the instructions, may cause harmful interference to radio communications. However, there is no guarantee that interference will not occur in a particular installation. If this equipment does cause harmful interference to radio or television reception, which can be determined by turning the equipment off and on, the user is encouraged to try to correct the interference by one or more of the following measures:

- Reorient or relocate the receiving antenna.
- Increase the separation between the equipment and the receiver.
- Connect the equipment into an outlet on a circuit different from that to which the receiver is connected.
- Consult the dealer or an experienced radio or television technician for help.

Modifications

The FCC requires the user to be notified that any changes or modifications made to this device that are not approved may void the user's authority to operate the equipment.

Cables

Connections to this device must be made with shielded cables with metallic RFI/EMI connector hoods to maintain compliance with FCC rules and regulations.

MATERIALS DISPOSAL

Disposal of this material can be regulated because of environmental considerations. For disposal or recycling information, contact your local authorities or the Electronic Industries Alliance (EIA) (<http://www.eiae.org>).

DISPOSAL OF WASTE EQUIPMENT BY USERS IN PRIVATE HOUSEHOLDS IN THE EUROPEAN UNION

This symbol on the product or on its packaging indicates that this product must not be disposed of with your other household waste. Instead, it is your responsibility to dispose of your waste equipment by handing it over to a designated collection point for the recycling of waste electrical and electronic equipment. The separate collection and recycling of

your waste equipment at the time of disposal will help to conserve natural resources and ensure that it is recycled in a manner that protects human health and the environment. For more information about where you can drop off your waste equipment for recycling, please contact your local city office, your household waste disposal service or the shop where you purchased the product.

JAPANESE NOTICE

この装置は、情報処理装置等電波障害自主規制協議会 (VCCI) の基準に基づくクラスB電波技術装置です。この装置は、家庭環境で使用することを目的としていますが、この装置がラジオやテレビジョン受信機に近接して使用されると、受信障害を引き起こすことがあります。
取扱説明書に従って正しい取り扱いをして下さい。

JAPANESE POWER CORD NOTICE

製品には、同梱された電源コードをお使い下さい。
同梱された電源コードは、他の製品では使用出来ません。

JAPANESE MATERIAL CONTENT DECLARATION

A Japanese regulatory requirement, defined by Specification JIS-C-0950, 2005, mandates that manufacturers provide Material Content Declarations for certain categories of electronic products offered for sale after July 1, 2006.

KOREAN NOTICE

이 기기는 가성용(B급)으로 전자파시험등록을 한 기기로서 주로 가정에서 사용하는 것을 목적으로 하며, 모든 지역에서 사용할 수 있습니다.
--

RECYCLING PROGRAM

The terms and availability of these programs vary by geography because of differences in regulatory requirements and local customer demand.

因为在当地的监管要求和客户的需求, 这些条件和程序的情况不同。



FINAL WORDS TO USER

The engineering team of Better Music Builder has many years of experience in audio equipment design. The team constantly develops new audio technologies, designs innovative audio and karaoke equipment to suit your specific needs and provides you great ideas for home entertainment.

Our engineering team also designs audio equipment for commercial use by restaurants, coffee shops, churches, and school auditoriums, etc. If the commercial area for audio equipment installation exceeds 2,000 square feet, we highly recommend hiring audio professionals to handle the installation in order to avoid risks in breaking the equipment with improper installation and safety protection purposes.

We also provide educational and technical information on audio equipment and technologies. For example, we provide free installation diagrams to make it easier to connect the system. In addition, to get best connections for the sharpest image and sound quality, we provide hot tips for choosing the high quality type of A/V cable connections. Free information on audio equipment and technologies available for download from our website, www.BetterMusicBuilder.com.

Please do not remove the "Yellow Label" on the rear of the machine; otherwise, the warranty will be void automatically. We design it to protect your own safety. If repair and maintenance service is needed, please contact us directly or hire a professional technician. To learn more about the technical aspects, visit our website www.BetterMusicBuilder.com and download the relevant information for review.



Before hooking up the system, turn off the power on all machines including audio/video equipment and TV. Otherwise, it may damage the equipment, especially on the HDTV in which a spot might appeared on the TV screen. After hooking up the system, double check the audio/video connections to ensure that they are connected correctly.

NOTE ▶ Sometimes, loose or poor quality cable would affect the microphone effects, picture quality, or even cause the machine to shut down suddenly.

Again, thank you for choosing Better Music Builder. We hope you can make the best use of the machine and enjoy it for years to come. If you have any questions regarding our product, please feel free to contact us at www.BetterMusicBuilder.com.



CONTACT INFORMATION

MAILING ADDRESS



BETTER MUSIC BUILDER
29300 Kohoutek Way #150
Union City, CA 94587
U.S.A.

TELEPHONE NUMBERS



USA Region
USA Toll Free: 1-800-318-2218
Sales & Marketing: 510-477-9955
Customer Service: 510-477-9955

FAX NUMBERS



USA Region
Sales & Marketing: 510-477-9922
Customer Service: 510-477-9922

WORLD WIDE WEB



E-mail: sales@bettermusicbuilder.com
Website: www.bettermusicbuilder.com

MAINTENANCE

With proper maintenance and regular service, it would maintain the machine quality and prolong its life. We recommend you to print the following information clearly for future reference on maintenance and warranty.

MODEL# _____ INVOICE # _____

DATE PURCHASED (MM/DD/YYYY) _____

DEALER NAME _____

CITY _____ ST./PROV. _____ ZIP/P.C. _____

DEALER WEBSITE <http://www>. _____

DEALER PHONE # _____

DEALER E-MAIL _____

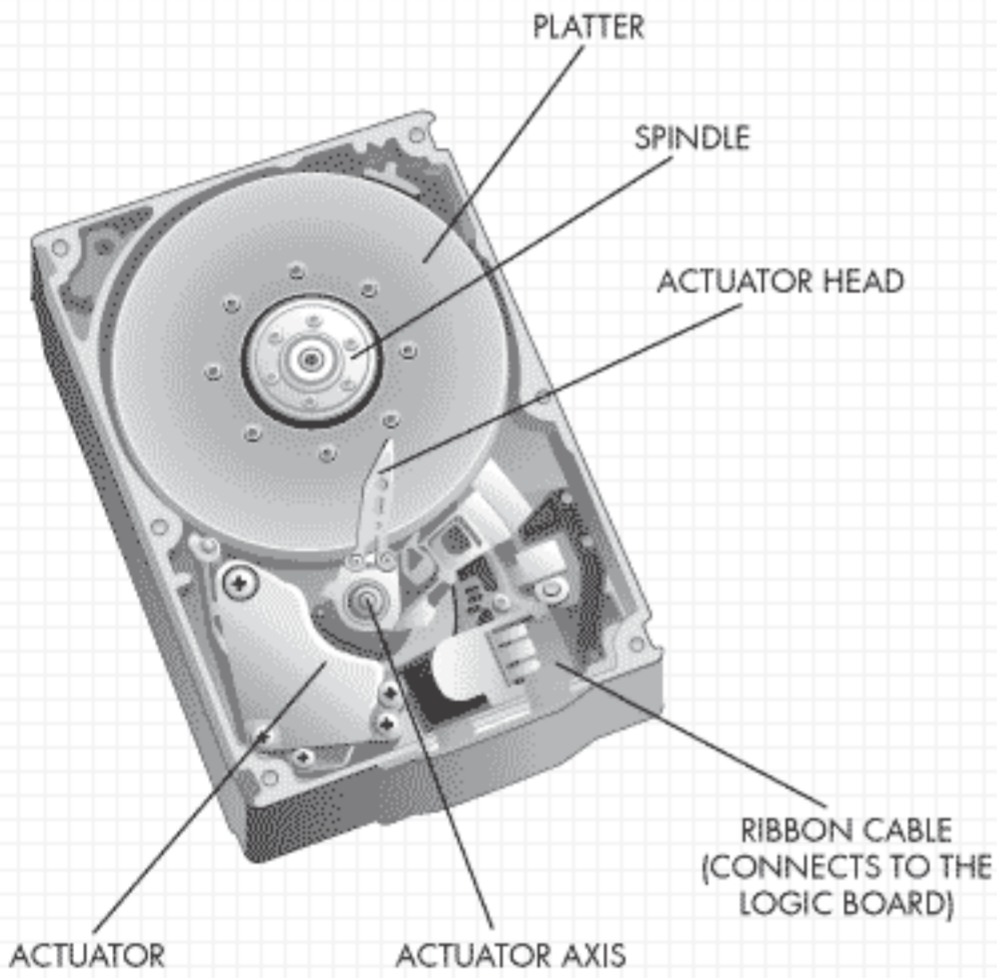


NEW PRODUCTS (MUSIC SOURCE)

WHAT IS A HARD DRIVE?

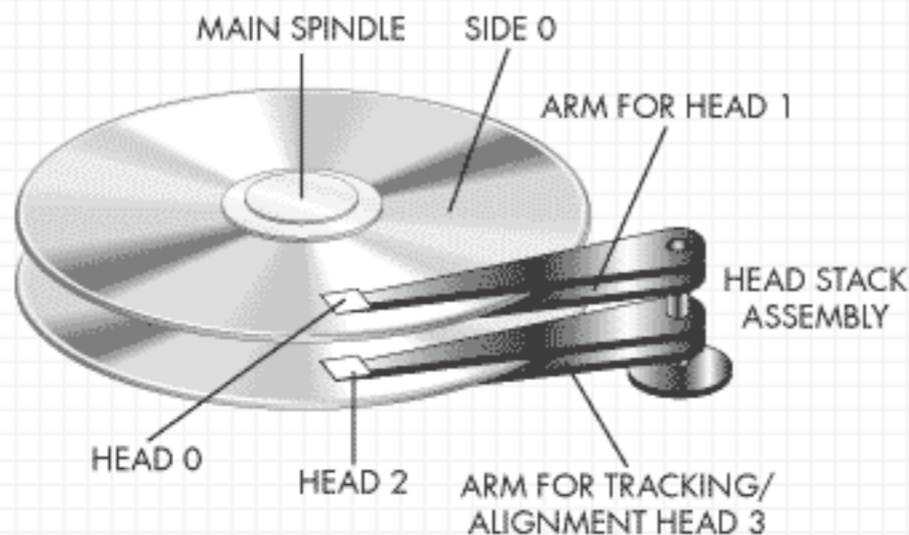
Today, we have all these data for music and karaoke but they are in different formats like CD-G, VCD, DVD, Youtube videos, Blu-ray, etc. While there is no simple way to build a machine that can play all these formats, why not just take all the information and load the audios, videos, and pictures inside the machine. That's where our new VOD product line comes in.

With the advances of current hard drives, our VOD product

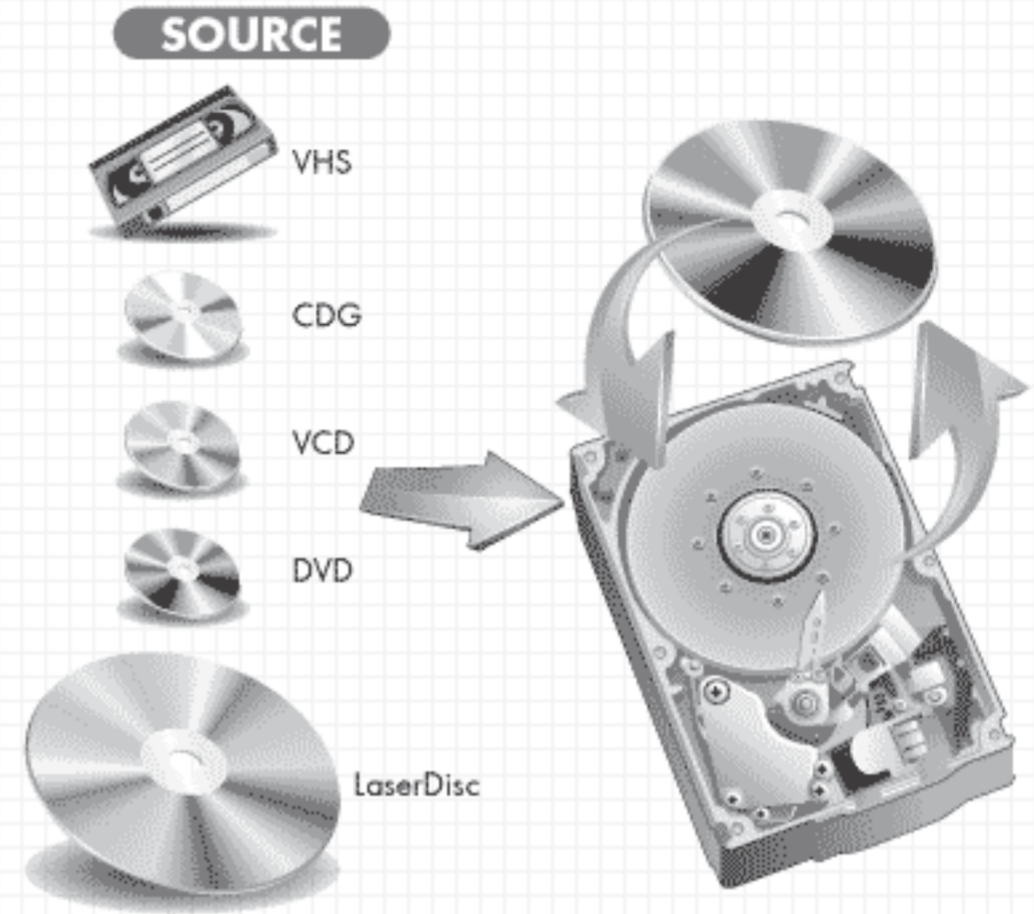


comes with up to 3 TB of hard drive. What that means is you can store all your pictures, movies, music into our VOD system and still have room to spare.

The major benefit is storing everything in one place. No longer do you need to keep wondering where you put those old vacation photos or that song you used to like. In the



following pages we will show you how to put everything in your hard drive so you can have the convenience of finding everything in one place.



WHAT DOES 3 TB MEAN?

The new products VOD-600, VOD-900, and Hitbox PC all comes with up to 3 TB of hard drive space with expandable ports. But how much is 3 TB actually?

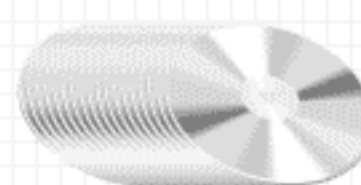
It means 4,000 CDs

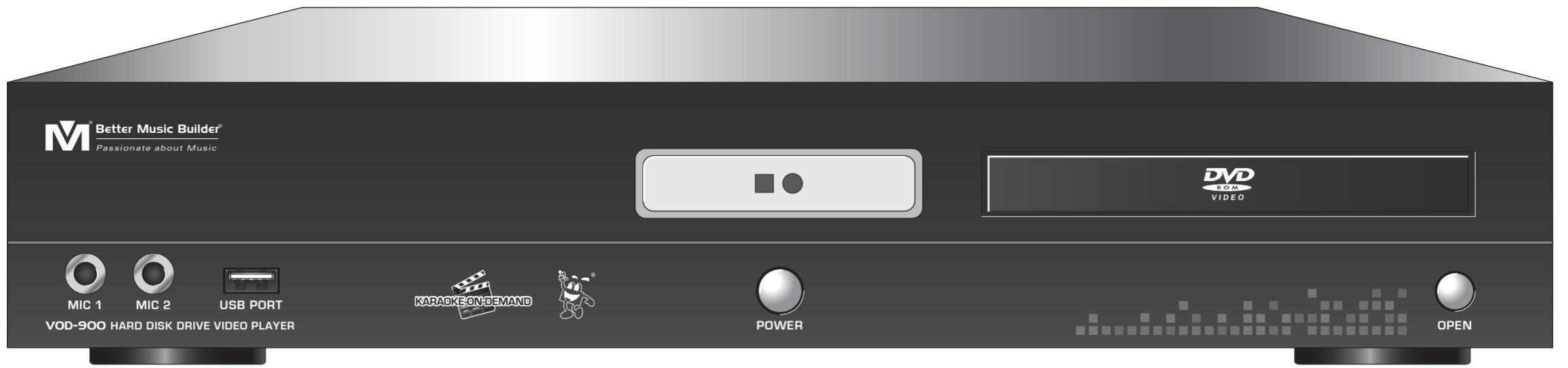


or 600 DVDs



or 120 Blu-ray discs

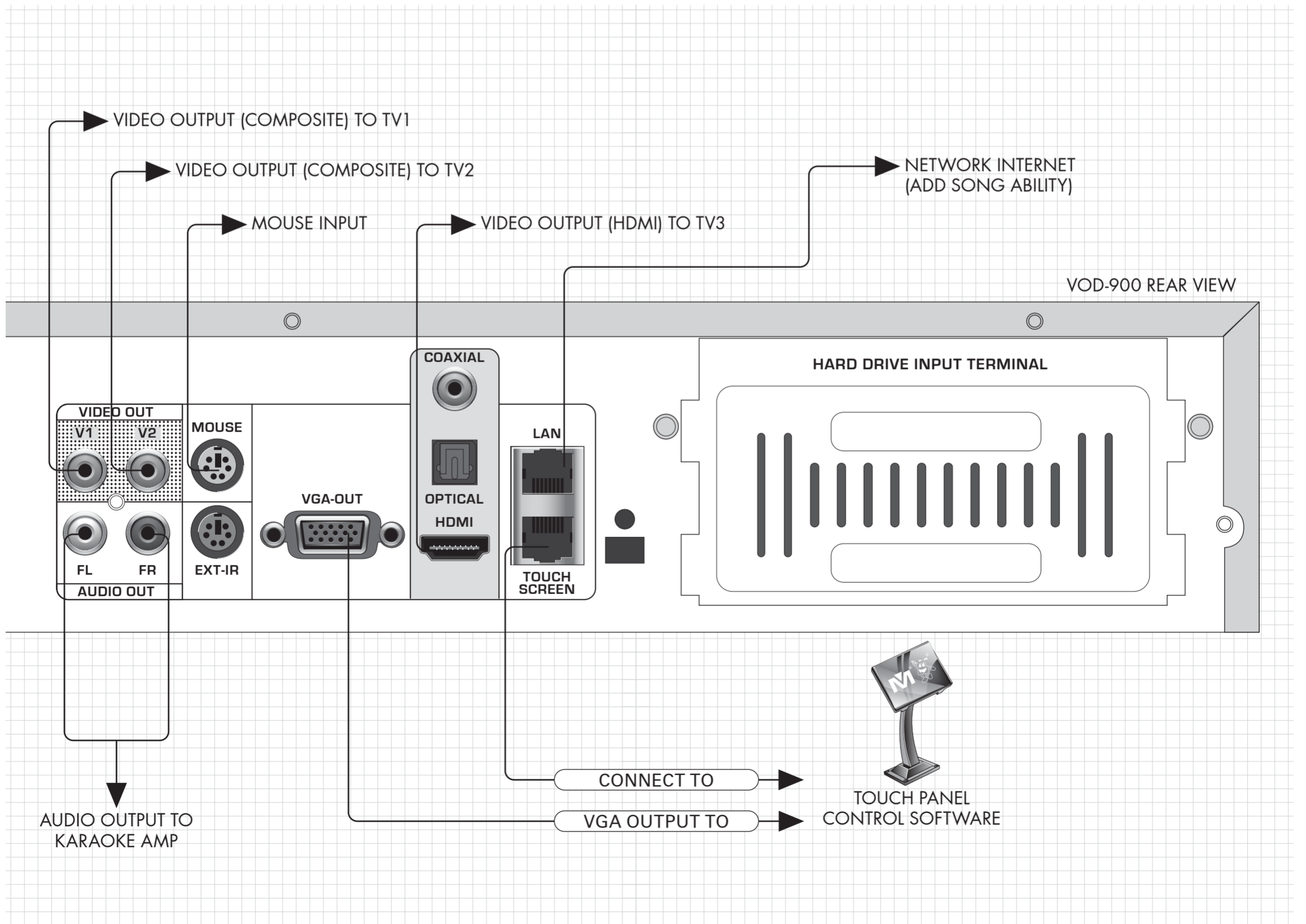
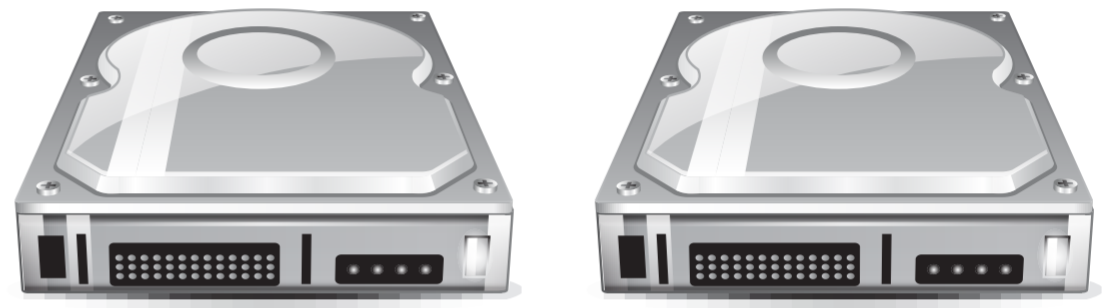




HARD DISK DRIVE VIDEO PLAYER VOD-900

The VOD-900 will be the first multimedia player produced by Better Music Builder. This player comes with high definition capabilities and has two hard drive ports for your data. It comes with pre-installed software to manage your all your audio and video. Please understand copyright laws in your region regarding the music data that are being used.

DUAL HARD-DRIVE



Better Music Builder®.com



Passionate about Music

Thank you for purchasing this unit. To make full and effective use of this unit, please read this Owner's Manual carefully before operating it. Please retain this manual for future reference.

