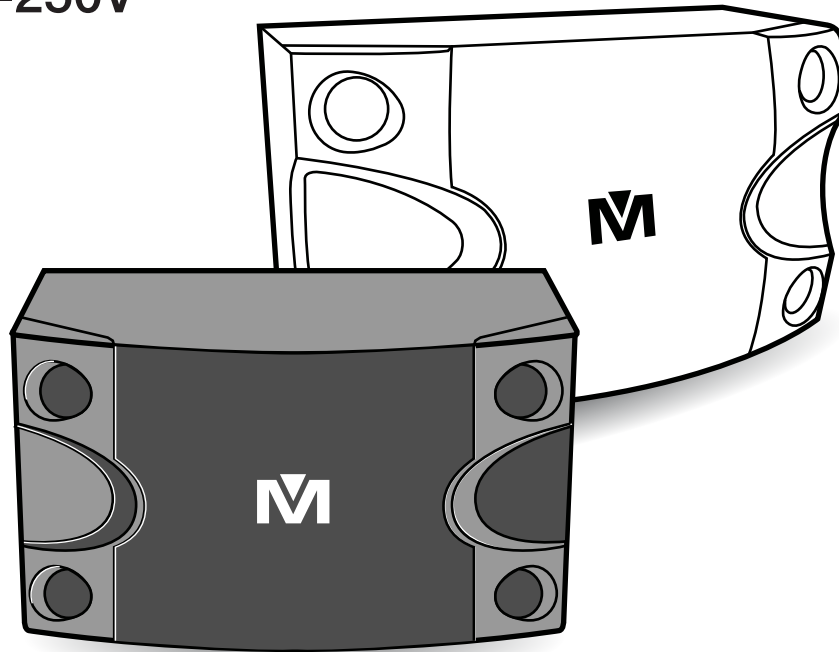


Professional Karaoke Speaker System

Model: CS-250V



Thank you for purchasing this unit.
To make full and effective use of this
unit, please read this Owner's
Manual carefully before operating it.
After reading this manual, retain this
booklet together with the Warranty
Card for future use in case of
maintenance or troubleshooting.

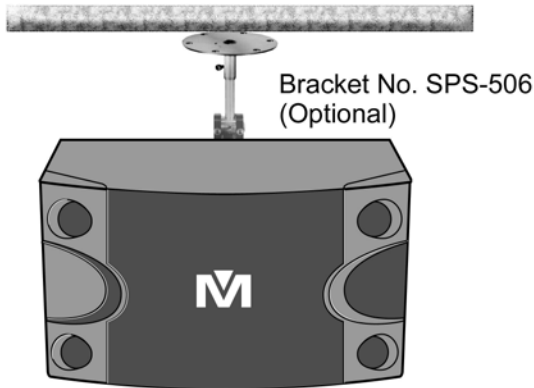


Passionate about Music

www.BetterMusicBuilder.com

INSTALLATION PLACE

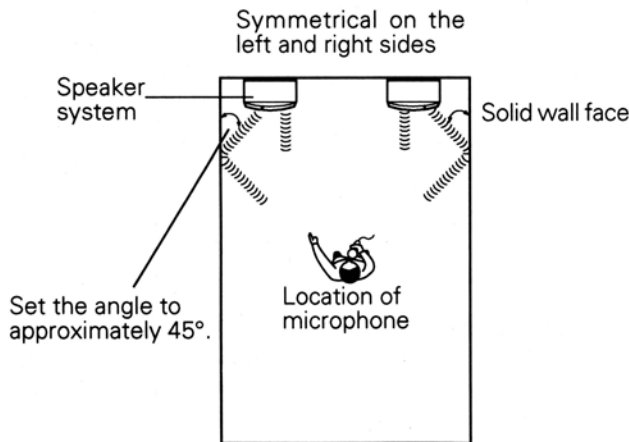
When installing the speaker on a wall or ceiling, it should be secured firmly using rigid anchor bolts to prevent it from coming off. Also, care should be taken with regard to the resonance of the mounting brackets caused by speaker operations.



INSTALLATION EXAMPLE

General Commercial Space

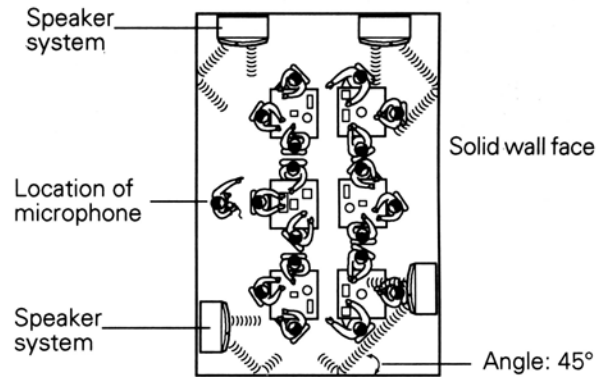
Avoid having sound absorbing material such as curtains etc. on the wall.



If the speaker is operated at high output levels, the floor, wall or ceiling may vibrate, which will impair the sound quality. Special care should be taken to prevent resonance and vibrations caused by the mounting angles.

INSTALLATION EXAMPLE

KTV / Large Hall



* When using several speakers, take care to match their load (impedance) to the stereo amplifier.

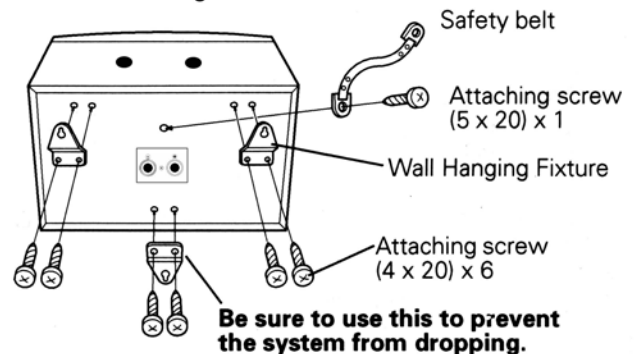
USING THE WALL HANGING FIXTURE

The CS-450V is not included hanging fixture to be used for hanging on walls.

Use of the safety belt is always recommended.

Attaching Procedure

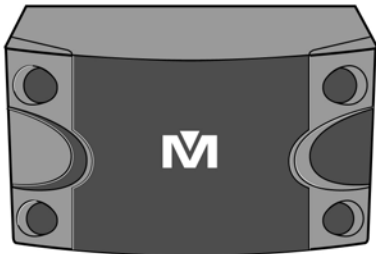
Attaching the wall hanging fixture provided at the spare holes at the back of the speaker system with the attaching screw.



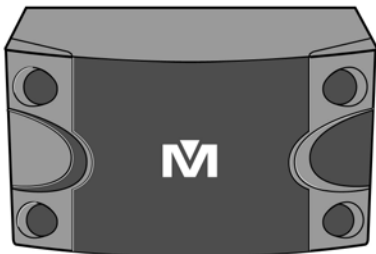
The speaker can be mounted vertically or horizontally. Select a suitable mounting position according to the place of installation. When mounting it horizontally, remove the four screws fitted to the front grille and the Twin Bessel horn tweeter. Then, Turn the grille and the horn tweeter 90 degrees, and refasten them.

INSTALLATION EXAMPLE

On a speaker stand
 The speaker can be mounted on a speaker stand, allowing extra flexibility in selecting a location.

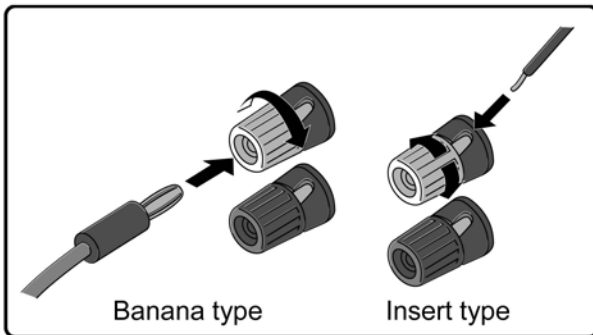


Left speaker



Right speaker

CONNECTION

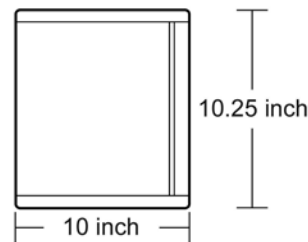


CABINET MAINTENANCE

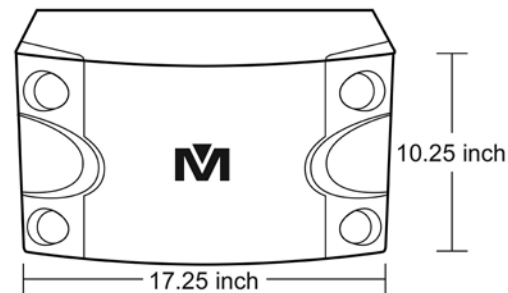
- * Use a polishing cloth or dry cloth to wipe off dust and dirt.
- * When the cabinet is very dirty, wipe with a soft cloth moistened with water-diluted cleanser; then wipe again with a dry cloth. Do not use furniture wax or cleaners. They may damage the surface of the cabinet.
- * Never use thinners, benzine, insecticide sprays and other chemicals on or near the cabinets, since these will corrode the surfaces.

SPECIFICATIONS

Speakers (2-ways, 3 speakers)
 Woofer.....25 cm cone-shaped
 Tweeter.....7.7 cm cone-shaped
 Nominal impedance.....8 ohm
 Frequency Range.....50 to 20,000Hz
 Sensitivity90 dB/W (at 1m distance)
 Allowable input
 Maximum input.....250W (EIAJ)
 Rated input.....30W(EIAJ)
 Crossover frequency.....2,000Hz
 Dimension (WxHxD)....17.25 x 10.25 x 10 inches
 Dimension (WxHxD).....44 x 26.5 x 26 cm
 Net Weight16 lbs / 7.3 kg (each)
 Shipping Weight.....34 lbs / 15.4 kg (pair)



Side view



Front view

NOTE:
 Specifications and design subject to possible modifications without notice, due to improvements.



SATISFACTION
 Code D030909-100



Passionate about Music
www.BetterMusicBuilder.com