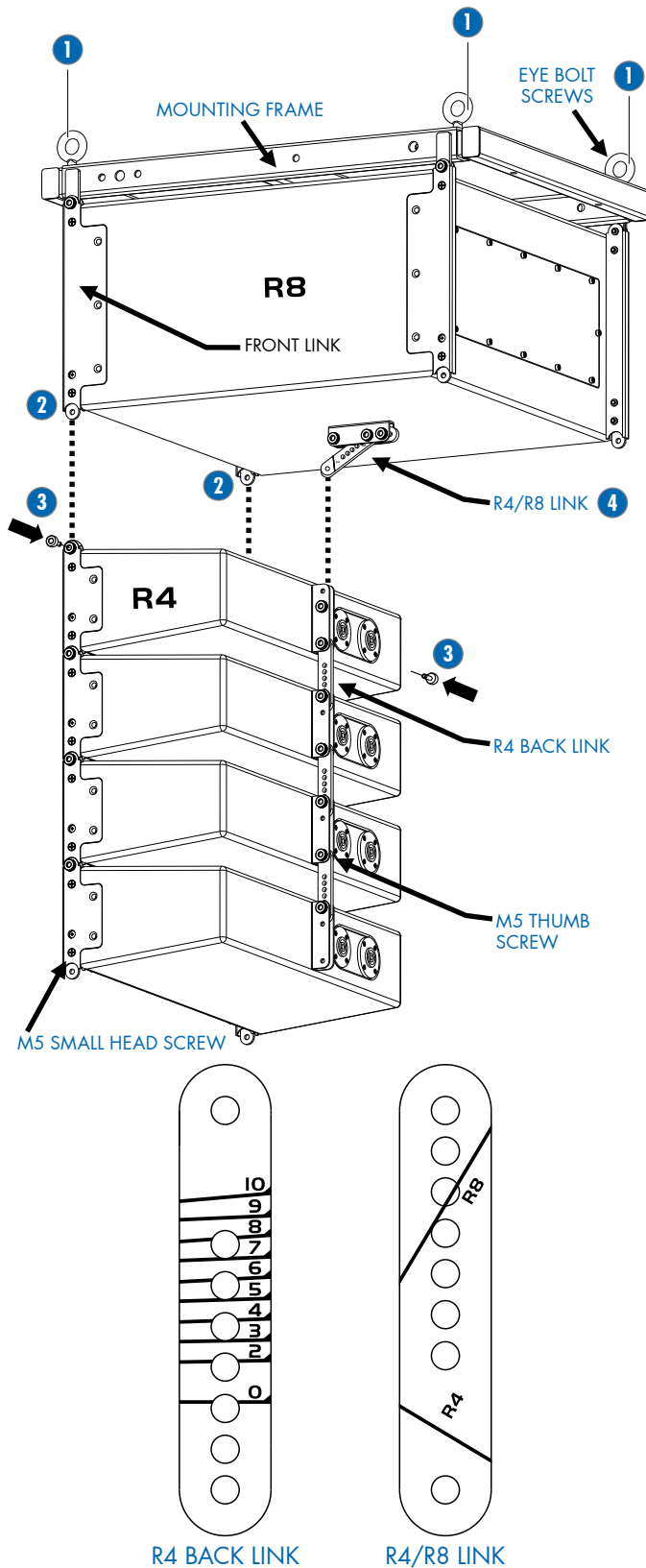


MOUNTING FRAME INSTALLATION

Before you begin setting up the R4/R8, remove and make sure none of the contents are missing.



1. INSTALLATION METHOD FOR ONE CLUSTER (Ceiling/Truss Mounted)

- 1 Attach the provided eye bolt screws to the mounting frame using the "M8 Rings".
- 2 Unscrew the two M5 thumb screws located at the bottom of the R8; do the same to the top of the R4.
- 3 Align the R4 with the R8 front sections and insert the M5 thumb screws; tighten and secure.
- 4 Insert the R4/R8 LINK to the corresponding side of the R4 back and R8 bottom. Be sure of proper installation of R4/R8 LINK by making sure the guide lines marked on the link are following the bracket on the R4/R8, using the M5 thumb screws tighten and secure.

NOTE Each R4/R8 cluster is 110lbs (Maximum 4 Clusters Recommended). A hoist may be required for installation.

Angle Adjustment on the R4

If you would like to adjust the angle on the R4 speakers, you can do so with the R4 BACK LINK.

NOTE The numbers marked besides each scale line indicate different angles.

Insert the M5 thumb screw through the aligned holes of the R4 BACK LINK and the U groove at the back of the speaker.

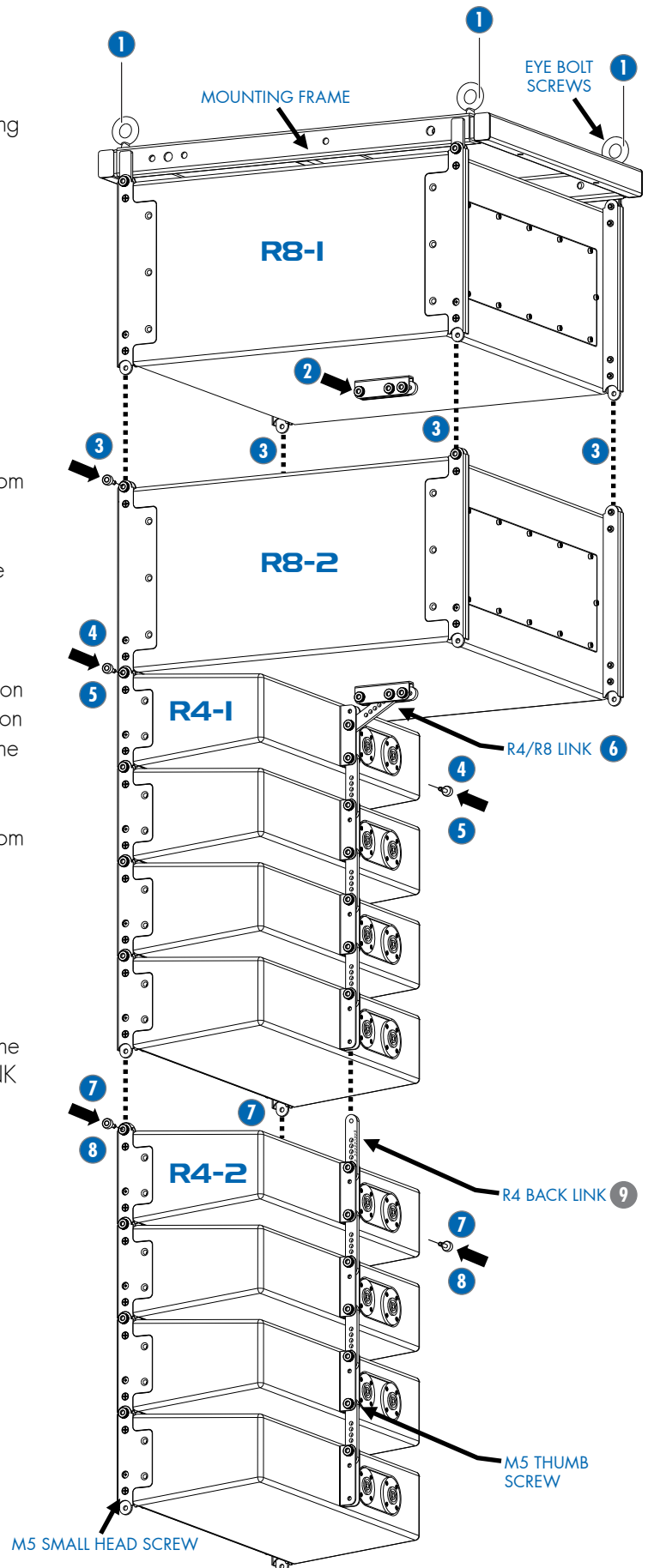
Alignment with Number 1 hole in the groove is required when 0°/2°/4°/6°/8°/10° of angle is wanted, and alignment with Number 2 hole is required when 3°/5°/7°/9° of splay angle is wanted.

For example, if the angle between two R4 speakers is designed to be 5°, the scale line marked with the number of 5 on the R4 Back Link must be aligned to the bottom edge of the groove on the back of the top speaker, then a certain hole in the R4 Back Link will be found to be aligned with Number 2 hole in the groove at the back of the top speaker. Insert a M5 thumb screw through the two aligned holes and tighten it.

2. INSTALLATION METHOD FOR MULTIPLE CLUSTERS (Maximum 4 Clusters Recommended)

- 1 Attach the provided eye bolt screws to the R8-1 mounting frame using the "M8 Rings".
- 2 Disassemble the R4/R8 LINK assembly located at the bottom of the R8-1 by removing the M5 small head screws; then remount the M5 small head screws in the original R4/R8 LINK holes.
- 3 Disassemble the mounting frame of the following R8-2; mount this R8-2 to the bottom of the R8-1 by tightening M5 thumb screws accordingly.
- 4 Unscrew the two M5 thumb screws located at the bottom of the R8-2; do the same to the top of the R4-1.
- 5 Align the R4-1 with the R8-2 front sections and insert the M5 thumb screws; tighten and secure.
- 6 Insert the R4/R8 LINK to the corresponding side of the R4-1 back and R8-2 bottom. Be sure of proper installation of R4/R8 LINK by making sure the guide lines marked on the link are following the bracket on the R4/R8, using the M5 thumb screws tighten and secure.
- 7 Unscrew the two M5 thumb screws located at the bottom of the R4-1; do the same to the top of the R4-2.
- 8 Attach one or more clusters of R4 to the bottom of the already installed R4-1 accordingly and insert the M5 thumb screws; tighten and secure.
- 9 Insert the R4 BACK LINK to the corresponding side of the R4 back. Be sure of proper installation of R4 BACK LINK by making sure the guide lines marked on the link are following the bracket on the R4, using the M5 thumb screws tighten and secure.

NOTE Each R4/R8 cluster is 110lbs (Maximum 4 Clusters Recommended). A hoist may be required for installation.



APPROVALS		DATE
DRAWN:	LL	04/01/16
CHECK:	VZ	04/01/16
DES ENG:	SL	04/01/16