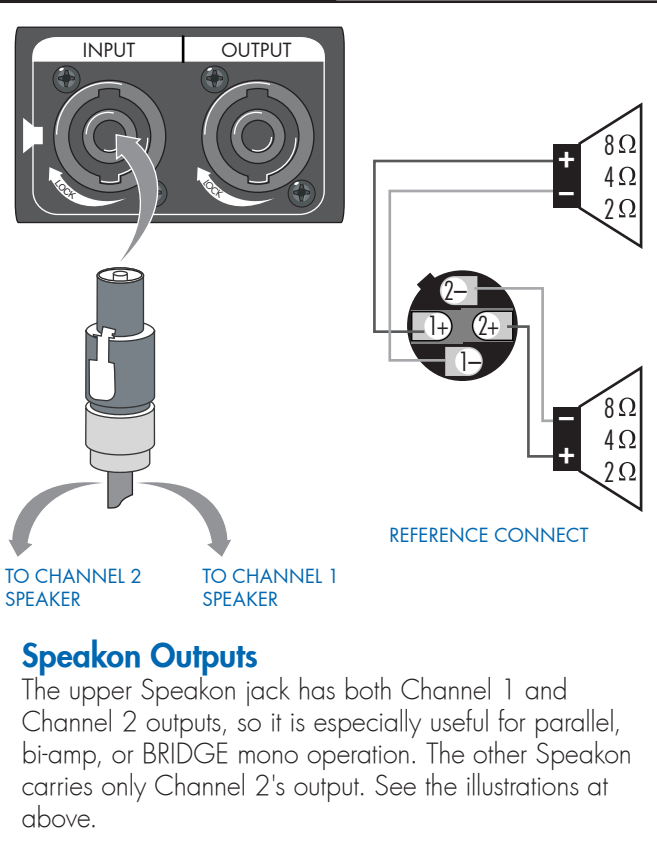
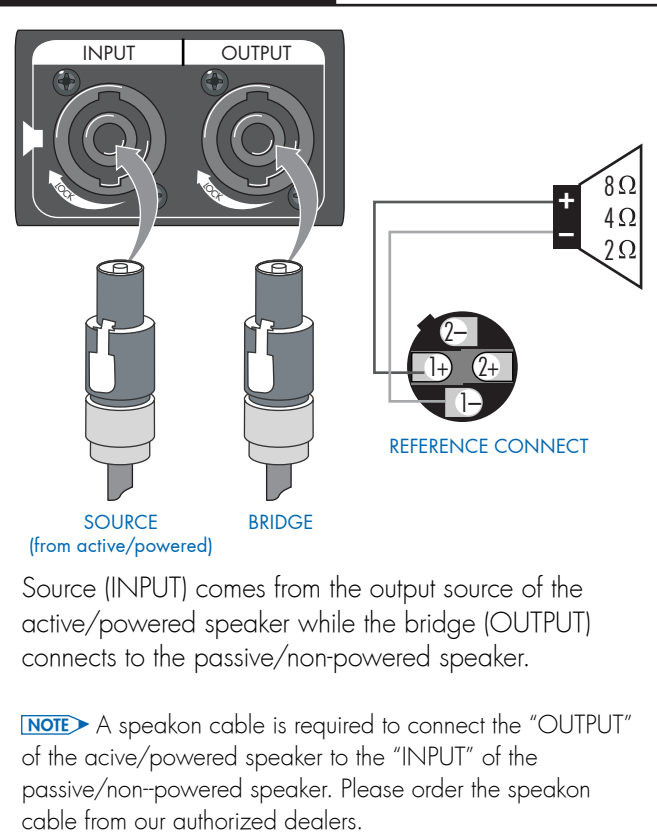


SPEAKON Y CONNECTORS

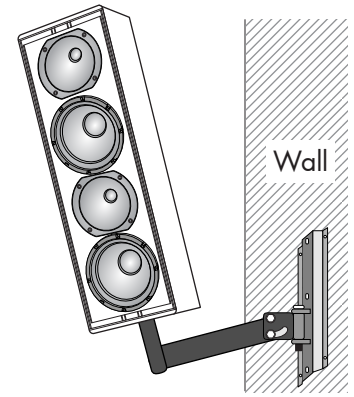


SPEAKON CONNECTORS



MOUNTING THE SPEAKER TO THE WALL

The speakers can be mounted on to the wall, (see figure below). Make sure that the structure of the wall must be strong enough to hold up to 100 pounds.

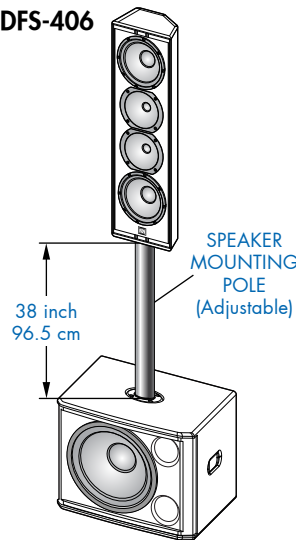


Part Number: SL-001 (Optional)

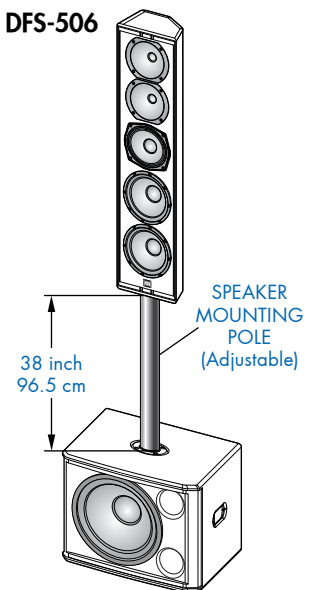
PLACING THE SPEAKERS ON THE SPEAKER MOUNTING POLE (Adjustable)

Part Number: AM91 (Optional)

DFS-406



DFS-506



PLACING THE SPEAKERS ON THE PORTABLE STAND

The speakers can be mounted onto the optional portable stand (see figure below). Make sure that the mounting system (hardware, stand, etc.) is capable of supporting four times the weight (approximately 25 lbs per speaker) of the speakers.

Part Number: AMS001B (Optional)

