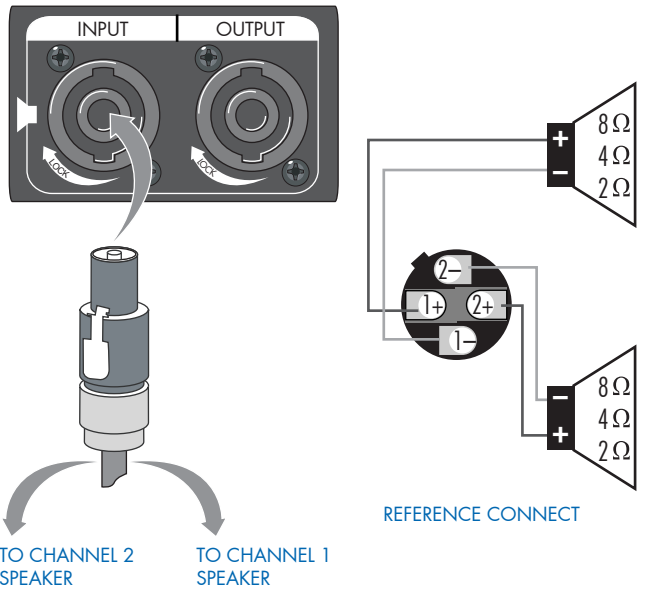




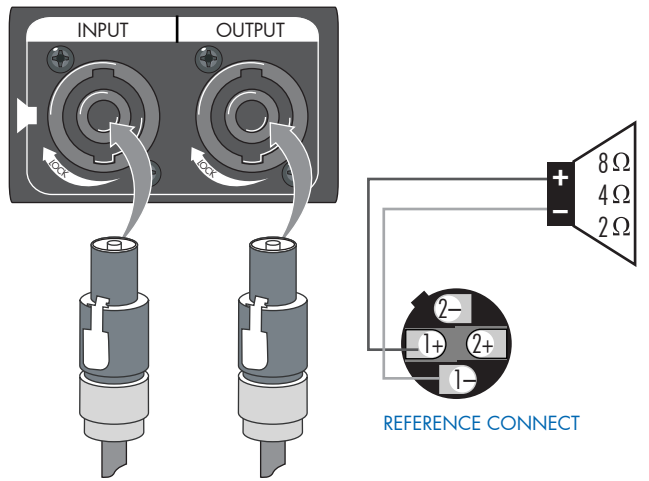
## SPEAKON Y CONNECTORS



### Speakon Outputs

The upper Speakon jack has both Channel 1 and Channel 2 outputs, so it is especially useful for parallel, bi-amp, or BRIDGE mono operation. The other Speakon carries only Channel 2's output. See the illustrations at above.

## SPEAKON CONNECTORS

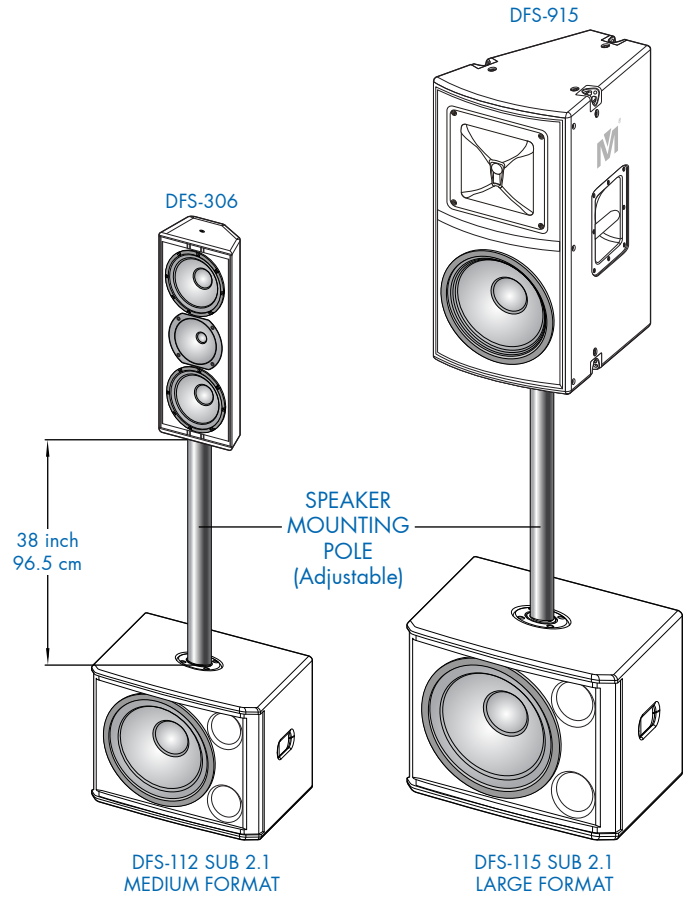


Source (INPUT) comes from the output source of the active/powered speaker while the bridge (OUTPUT) connects to the passive/non-powered speaker.

**NOTE** A speakon cable is required to connect the "OUTPUT" of the active/powered speaker to the "INPUT" of the passive/non-powered speaker. Please order the speakon cable from our authorized dealers.

## PLACING THE SPEAKERS ON THE SPEAKER MOUNTING POLE (Adjustable)

Part Number: AM91 (Optional)



**NOTE** The speaker mounting pole as indicated in the diagram is not included with any of our speaker models. You may order it directly from our authorized dealers near you.