

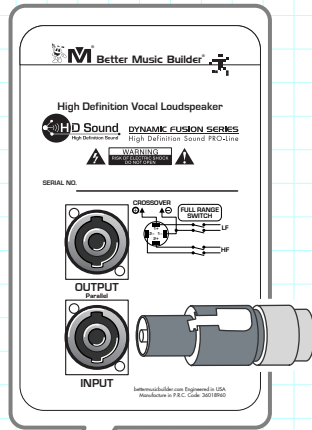


DYNAMIC FUSION SYSTEM FUNCTIONING

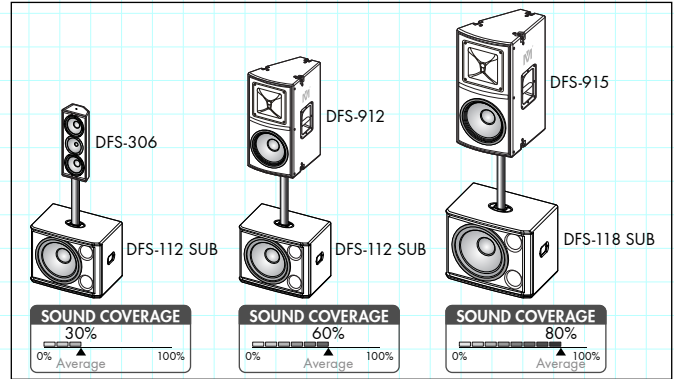
The HD vocal loudspeaker (12-inch DFS-912 or 15-inch DFS-915) functions separately with the bass powered subwoofer (12-inch DFS-112 SUB or 18-inch DFS-118 SUB). Therefore, it produces superior live sound quality. Please refer to the following diagram for connection.

NOTE There are two kinds of subwoofer: active/powerd subwoofer and passive/non-powered subwoofer. For powered subwoofer, you need connecting it to mixer. For non-powered subwoofer, you need a power amplifier to operate it. For high power output, you need a high power amplifier. Please consult with our authorized dealers for the technical aspects in details.

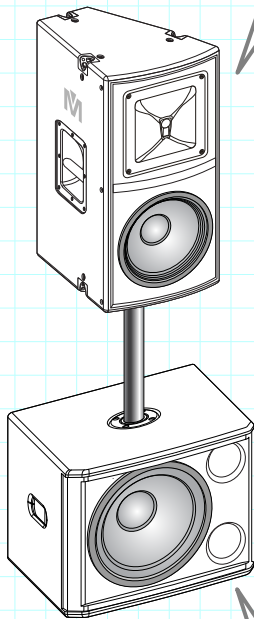
This HD Vocal Loudspeaker connection panel are all the same in these models: DFS-912 and DFS-915.



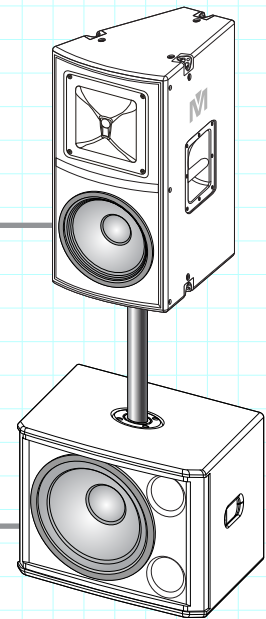
HD VOCAL LOUDSPEAKER
DFS-912 / DFS-915



HD VOCAL LOUDSPEAKER
DFS-912 / DFS-915



BASS POWERED SUBWOOFER
DFS-112 SUB / DFS-118 SUB



BASS POWERED SUBWOOFER
DFS-112 SUB / DFS-118 SUB

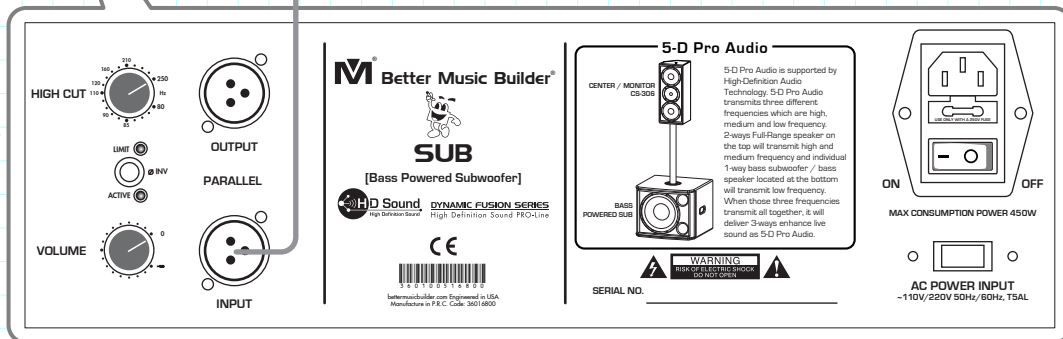
SPEAKON CONNECT TO INPUT

PORTABLE SYSTEM

DX-288 G2

XLR-BALANCE INPUT

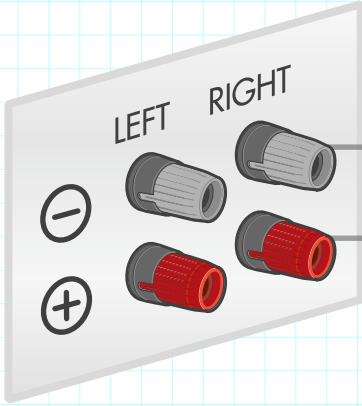
This Bass Powered Subwoofer connection panel are all the same in these models: DFS-112 SUB and DFS-118 SUB.



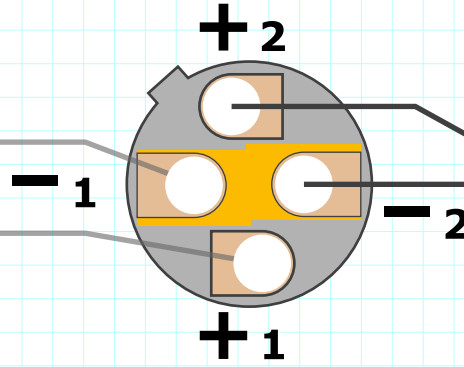
APPROVALS	DATE
DRAWN: LL	05/01/17
CHECK: VZ	05/01/17
DES ENG: SL	05/01/17

MODEL NO.
DFS-112 SUB DFS-118 SUB

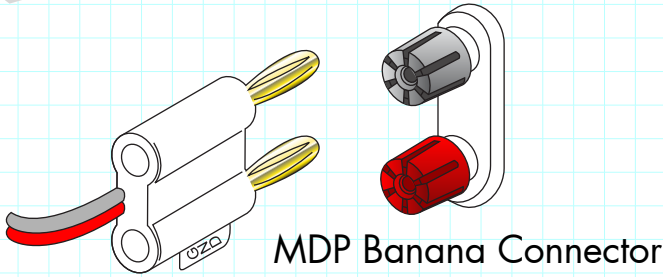
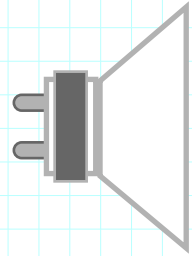
Amplifier Output



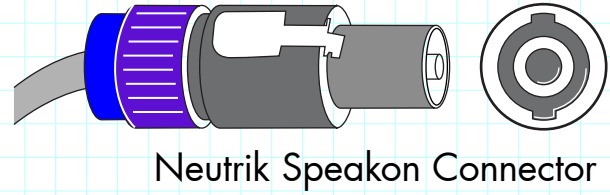
Speakon Connector



Speaker

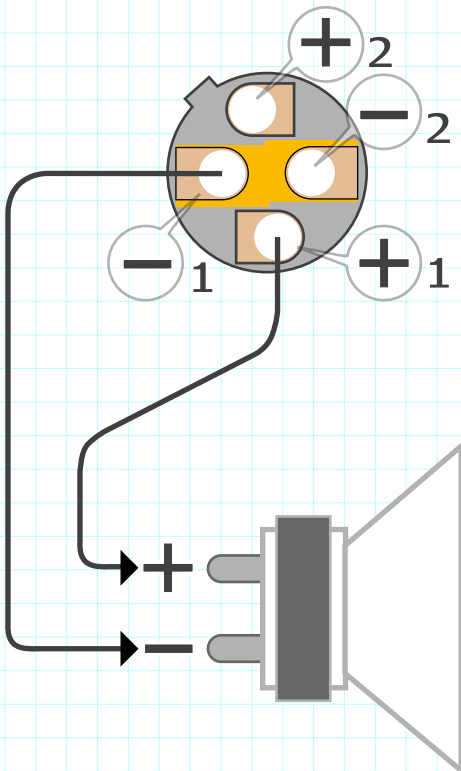


MDP Banana Connector



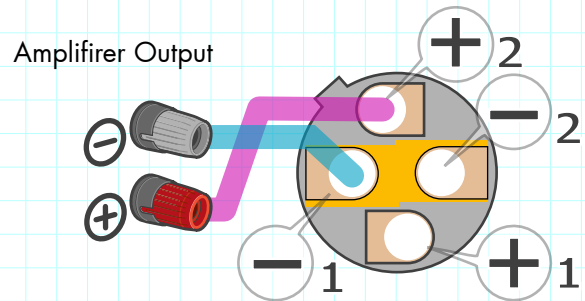
Neutrik Speakon Connector

Right Connection

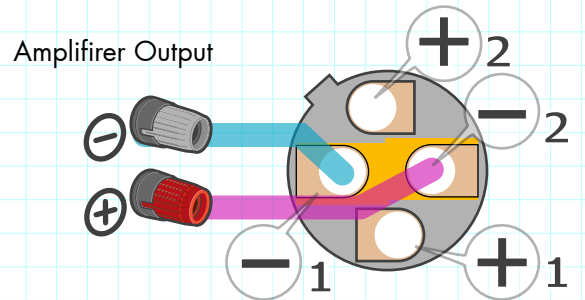


The positive and negative connect correctly to the speaker.

Wrong Connection



The positive and negative are not connected on the same set.



The positive misconnected to the negative which will not work.