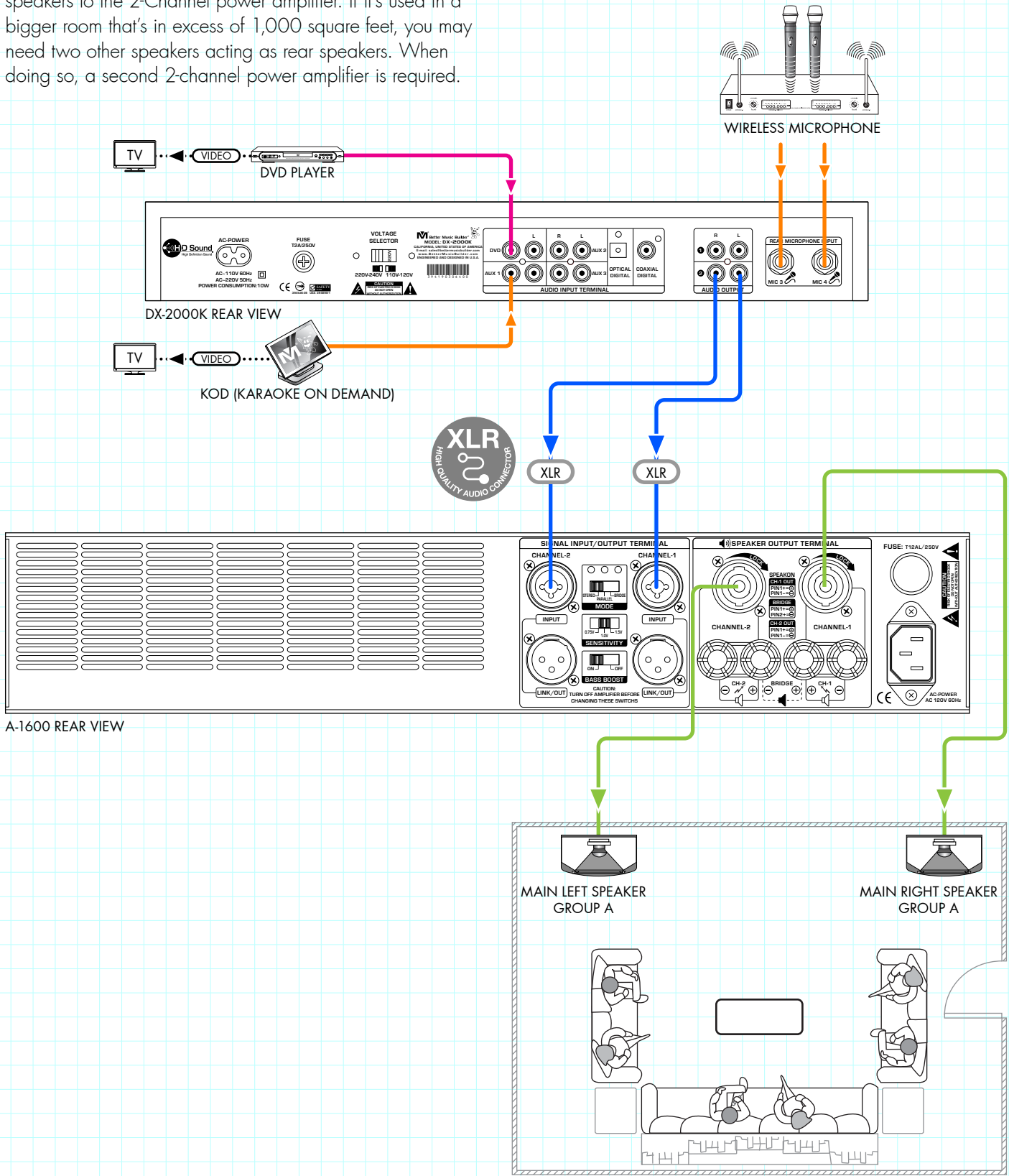




## SMALL FORMAT

This diagram gives you an idea of how to connect two speakers to the 2-Channel power amplifier. If it's used in a bigger room that's in excess of 1,000 square feet, you may need two other speakers acting as rear speakers. When doing so, a second 2-channel power amplifier is required.



A-1600 REAR VIEW

APPROVALS		DATE	MODEL NO.	SCALE 1:10
DRAWN:	LL	04/01/19	<b>A-1600</b>	REW.NO DATE 04-01-2019
CHECK:	VZ	04/01/19		
DES ENG:	SL	04/01/19		